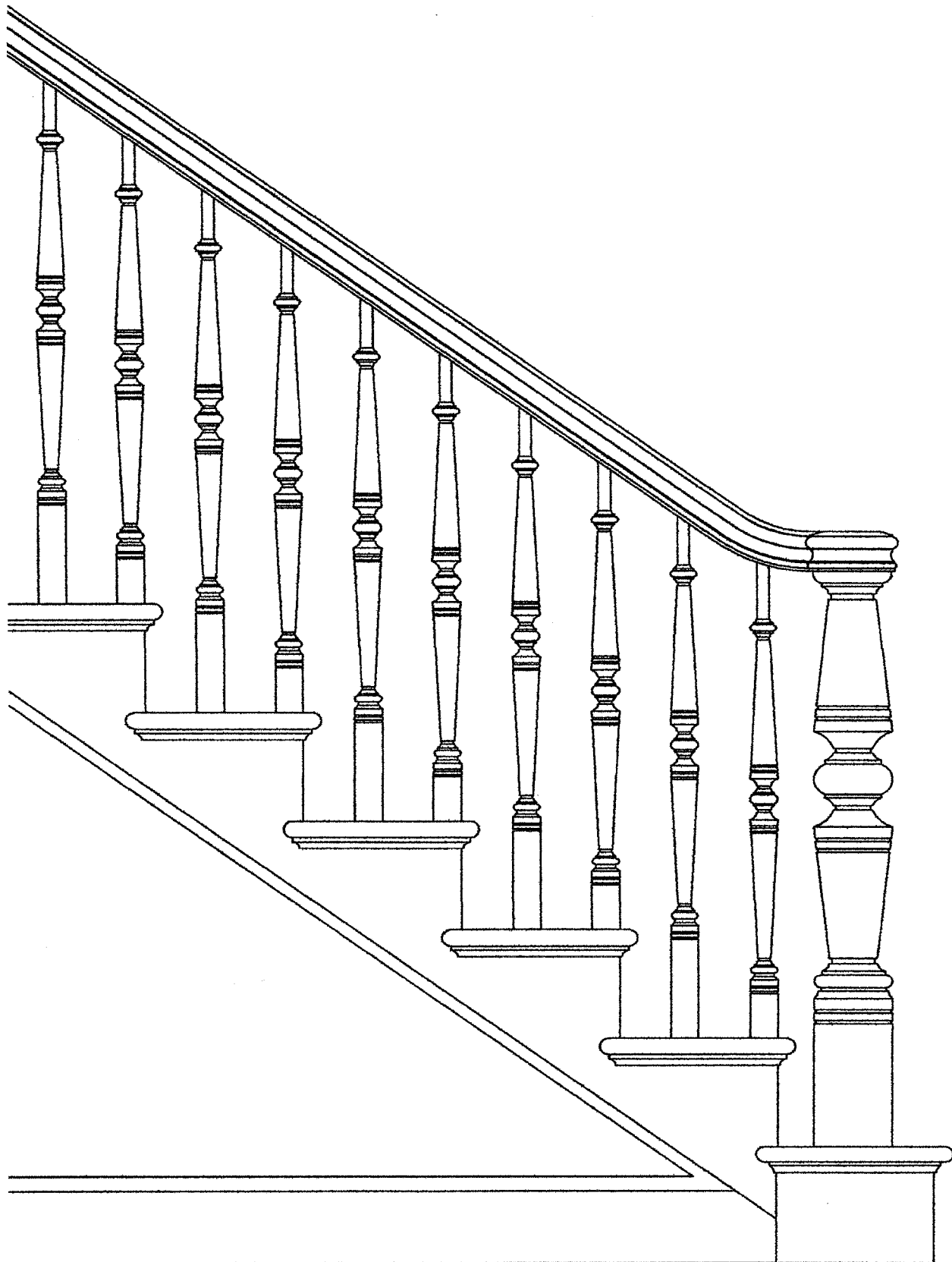


# KINZEL

WOOD PRODUCTS LLC

## A NEW LEVEL IN STAIR PARTS

2008 PRICE LIST



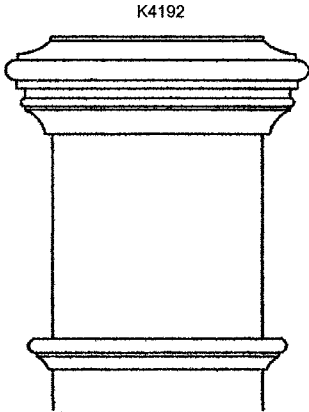
Kinzel Wood Products  
1825 S 30th St.  
Manitowoc, WI 54220

[www.kinzelwoodproducts.com](http://www.kinzelwoodproducts.com)  
E-mail: [info@kinzelwoodproducts.com](mailto:info@kinzelwoodproducts.com)

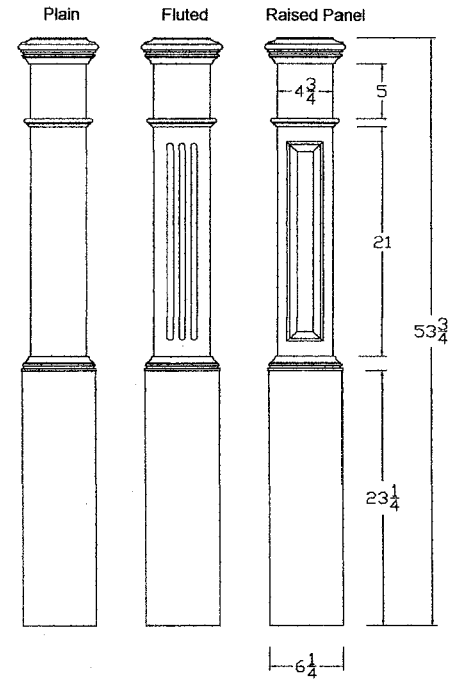
Phone: 1-866-683-2025  
Fax: (920) 683-2085

## BOX NEWELS

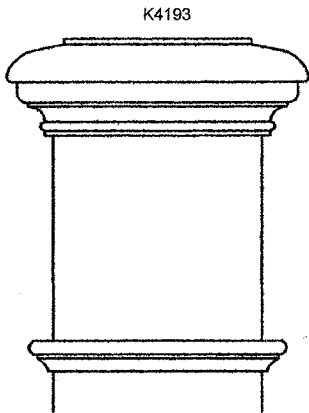
### NEW CASTLE - K4192



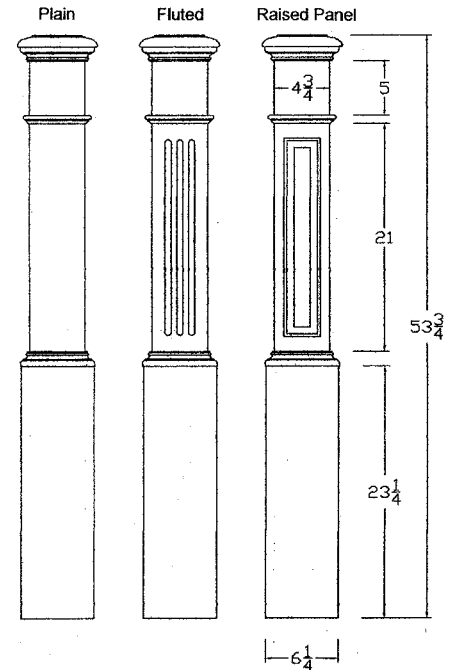
Item #	Description	Plain	Fluted	Raised Panel
K4192-PO	Poplar	\$225.00	\$ 238.50	\$ 279.00
K4192-AS	Ash	\$225.00	\$ 238.50	\$ 279.00
K4192-RO	Red Oak	\$225.00	\$ 238.50	\$ 279.00
K4192-EB	European Steam Beech	\$234.00	\$ 247.50	\$ 288.00
K4192-HM	Hard Maple	\$265.50	\$ 279.00	\$ 319.50
K4192-HK	Hickory	\$265.50	\$ 279.00	\$ 319.50
K4192-WO	White Oak	\$265.50	\$ 279.00	\$ 319.50
K4192-PC	American Cherry	\$387.00	\$ 400.50	\$ 445.50
K4192-BC	Brazilian Cherry	\$387.00	\$ 400.50	\$ 445.50
K4192-SA	Superior Alder	\$387.00	\$ 400.50	\$ 445.50
K4192-HMPC	Maple Post/ American Cherry Mldg. & Cap	\$318.60	\$ 334.80	\$ 383.40
K4192-HMBC	Maple Post/ Braz. Cherry Mldg. & Cap	\$318.60	\$ 334.80	\$ 383.40
K4192-PCHM	American Cherry Post/ Maple Mldg. & Cap	\$464.40	\$ 480.60	\$ 534.60
K4192-BCHM	Braz. Cherry Post/ Maple Mldg. & Cap	\$464.40	\$ 480.60	\$ 534.60
K4192-PTPC	Paint Grade Post/ American Cherry Mldg. & Cap	\$280.80	\$ 297.00	\$ 345.60
K4192-PTBC	Paint Grade Post/ Braz. Cherry Mldg. & Cap	\$280.80	\$ 297.00	\$ 345.60



### RICHWOOD - K4193



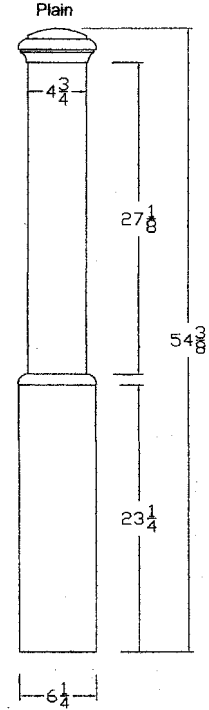
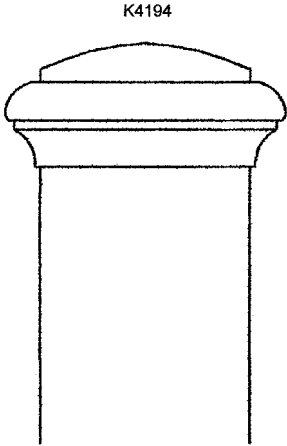
Item #	Description	Plain	Fluted	Raised Panel
K4193-PO	Poplar	\$225.00	\$ 238.50	\$ 279.00
K4193-AS	Ash	\$225.00	\$ 238.50	\$ 279.00
K4193-RO	Red Oak	\$225.00	\$ 238.50	\$ 279.00
K4193-EB	European Steam Beech	\$234.00	\$ 247.50	\$ 288.00
K4193-HM	Hard Maple	\$265.50	\$ 279.00	\$ 319.50
K4193-HK	Hickory	\$265.50	\$ 279.00	\$ 319.50
K4193-WO	White Oak	\$265.50	\$ 279.00	\$ 319.50
K4193-PC	American Cherry	\$387.00	\$ 400.50	\$ 445.50
K4193-BC	Brazilian Cherry	\$387.00	\$ 400.50	\$ 445.50
K4193-SA	Superior Alder	\$387.00	\$ 400.50	\$ 445.50
K4193-HMPC	Maple Post/ American Cherry Mldg. & Cap	\$318.60	\$ 334.80	\$ 383.40
K4193-HMBC	Maple Post/ Braz. Cherry Mldg. & Cap	\$318.60	\$ 334.80	\$ 383.40
K4193-PCHM	American Cherry Post/ Maple Mldg. & Cap	\$464.40	\$ 480.60	\$ 534.60
K4193-BCHM	Braz. Cherry Post/ Maple Mldg. & Cap	\$464.40	\$ 480.60	\$ 534.60
K4193-PTPC	Paint Grade Post/ American Cherry Mldg. & Cap	\$280.80	\$ 297.00	\$ 345.60
K4193-PTBC	Paint Grade Post/ Braz. Cherry Mldg. & Cap	\$280.80	\$ 297.00	\$ 345.60



## BOX NEWELS

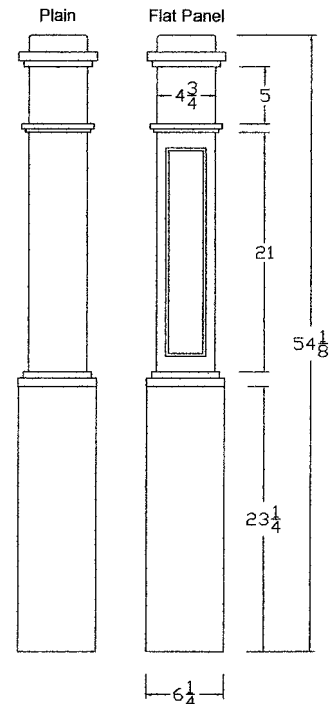
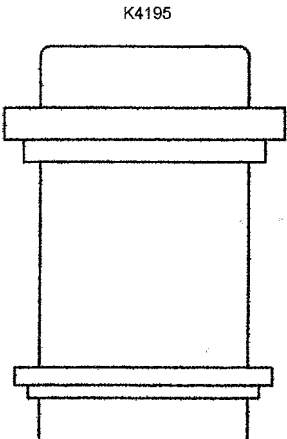
### CONTEMPORARY - K4194

Item #	Description	Plain
K4194-PO	Poplar	\$225.00
K4194-AS	Ash	\$225.00
K4194-RO	Red Oak	\$225.00
K4194-EB	European Steam Beech	\$234.00
K4194-HM	Hard Maple	\$265.50
K4194-HK	Hickory	\$265.50
K4194-WO	White Oak	\$265.50
K4194-PC	American Cherry	\$387.00
K4194-BC	Brazilian Cherry	\$387.00
K4194-SA	Superior Alder	\$387.00
K4194-HMPC	Maple Post/ American Cherry Mldg. & Cap	\$318.60
K4194-HMBC	Maple Post/ Braz. Cherry Mldg. & Cap	\$318.60
K4194-PCHM	Maple Mldg. & Cap Braz. Cherry Post/ Maple Mldg. & Cap	\$464.40
K4194-BCHM	Maple Mldg. & Cap Paint Grade Post/ American Cherry Mldg. & Cap	\$280.80
K4194-PTPC	Paint Grade Post/ Braz. Cherry Mldg. & Cap	\$280.80
K4194-PTBC	Birdseye Maple Post/ American Cherry Mldg. & Cap	\$540.00
K4194-BMAC	Birdseye Maple Post/ Braz. Cherry Mldg. & Cap	\$540.00

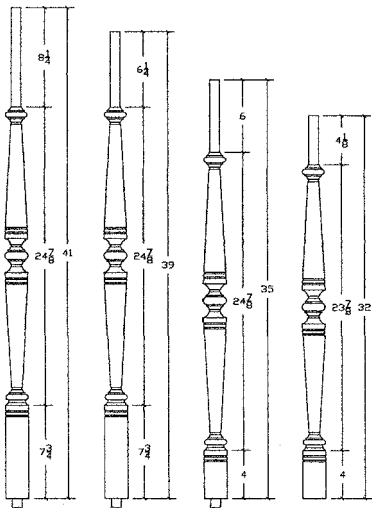


### MISSION - K4195

Item #	Description	Plain	Flat Panel
K4195-PO	Poplar	\$225.00	\$ 279.00
K4195-AS	Ash	\$225.00	\$ 279.00
K4195-RO	Red Oak	\$225.00	\$ 279.00
K4195-EB	European Steam Beech	\$234.00	\$ 288.00
K4195-HM	Hard Maple	\$265.50	\$ 319.50
K4195-HK	Hickory	\$265.50	\$ 319.50
K4195-WO	White Oak	\$265.50	\$ 319.50
K4195-PC	American Cherry	\$387.00	\$ 445.50
K4195-BC	Brazilian Cherry	\$387.00	\$ 445.50
K4195-SA	Superior Alder	\$387.00	\$ 445.50
K4195-QSRO	Quarter Sawn Red Oak	\$387.00	\$ 445.50
K4195-HMPC	Maple Post/ American Cherry Mldg. & Cap	\$318.60	\$ 383.40
K4195-HMBC	Maple Post/ Braz. Cherry Mldg. & Cap	\$318.60	\$ 383.40
K4195-PCHM	American Cherry Post/ Maple Mldg. & Cap	\$464.40	\$ 534.60
K4195-BCHM	Braz. Cherry Post/ Maple Mldg. & Cap	\$464.40	\$ 534.60
K4195-PTPC	Paint Grade Post/ American Cherry Mldg. & Cap	\$280.80	\$ 345.60
K4195-PTBC	Paint Grade Post/ Braz. Cherry Mldg. & Cap	\$280.80	\$ 345.60

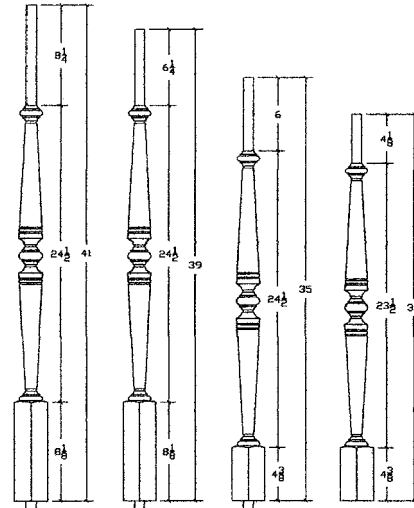


## CAMBRIDGE SERIES BALUSTERS



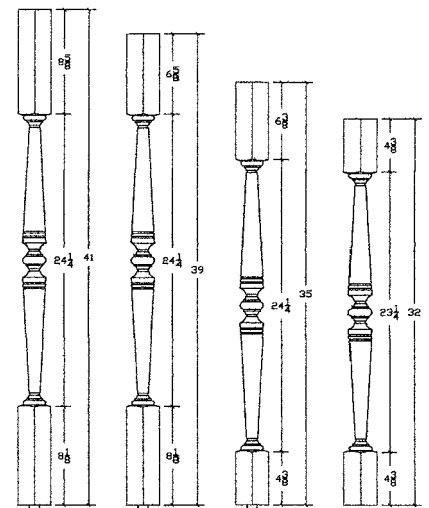
K1101-41 K1101-39 K1101-35 K1101-32

Pin-Top Round Bottom



K1201-41 K1201-39 K1201-35 K1201-32

Pin-Top Square Bottom



K1301-41 K1301-39 K1301-35 K1301-32

Square-Top Square Bottom

ITEM #	DESCRIPTION	PAINT GRADE	ASH	RED OAK	EURO BEECH	HARD MAPLE	HICKORY	WHITE OAK	AMERICAN CHERRY	BRAZILIAN CHERRY	SUPERIOR ALDER
	PIN-TOP ROUND BOTTOM										
K1101-32	32" Pin-Top w/ Round Bottom	\$ 20.16	\$ 20.16	\$ 20.16	\$ 21.60	\$ 24.48	\$ 24.48	\$ 24.48	\$ 27.36	\$ 27.36	\$ 27.36
K1101-35	35" Pin-Top w/ Round Bottom	\$ 22.05	\$ 22.05	\$ 22.05	\$ 23.63	\$ 26.78	\$ 26.78	\$ 26.78	\$ 29.93	\$ 29.93	\$ 29.93
K1101-39	39" Pin-Top w/ Round Bottom	\$ 24.57	\$ 24.57	\$ 24.57	\$ 26.33	\$ 29.84	\$ 29.84	\$ 29.84	\$ 33.35	\$ 33.35	\$ 33.35
K1101-41	41" Pin-Top w/ Round Bottom	\$ 25.83	\$ 25.83	\$ 25.83	\$ 27.68	\$ 31.37	\$ 31.37	\$ 31.37	\$ 35.06	\$ 35.06	\$ 35.06
	PIN-TOP SQUARE BOTTOM										
K1201-32	32" Pin-Top w/ Square Bottom	\$ 20.16	\$ 20.16	\$ 20.16	\$ 21.60	\$ 24.48	\$ 24.48	\$ 24.48	\$ 27.36	\$ 27.36	\$ 27.36
K1201-35	35" Pin-Top w/ Square Bottom	\$ 22.05	\$ 22.05	\$ 22.05	\$ 23.63	\$ 26.78	\$ 26.78	\$ 26.78	\$ 29.93	\$ 29.93	\$ 29.93
K1201-39	39" Pin-Top w/ Square Bottom	\$ 24.57	\$ 24.57	\$ 24.57	\$ 26.33	\$ 29.84	\$ 29.84	\$ 29.84	\$ 33.35	\$ 33.35	\$ 33.35
K1201-41	41" Pin-Top w/ Square Bottom	\$ 25.83	\$ 25.83	\$ 25.83	\$ 27.68	\$ 31.37	\$ 31.37	\$ 31.37	\$ 35.06	\$ 35.06	\$ 35.06
	SQUARE-TOP & BOTTOM										
K1301-32	32" Square-Top & Bottom	\$ 20.16	\$ 20.16	\$ 20.16	\$ 21.60	\$ 24.48	\$ 24.48	\$ 24.48	\$ 27.36	\$ 27.36	\$ 27.36
K1301-35	35" Square-Top & Bottom	\$ 22.05	\$ 22.05	\$ 22.05	\$ 23.63	\$ 26.78	\$ 26.78	\$ 26.78	\$ 29.93	\$ 29.93	\$ 29.93
K1301-39	39" Square-Top & Bottom	\$ 24.57	\$ 24.57	\$ 24.57	\$ 26.33	\$ 29.84	\$ 29.84	\$ 29.84	\$ 33.35	\$ 33.35	\$ 33.35
K1301-41	41" Square-Top & Bottom	\$ 25.83	\$ 25.83	\$ 25.83	\$ 27.68	\$ 31.37	\$ 31.37	\$ 31.37	\$ 35.06	\$ 35.06	\$ 35.06

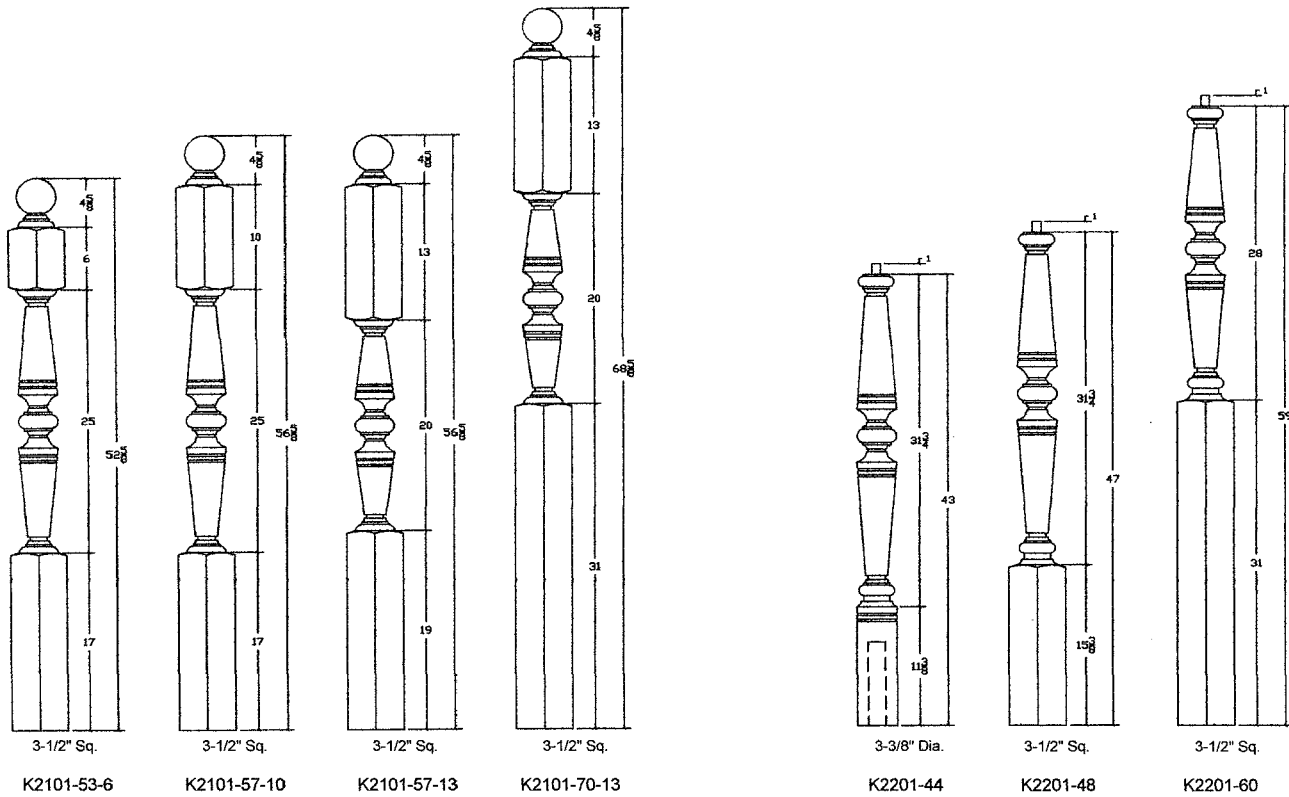
All balusters are 1 3/4 by 1 3/4 and are designed for a staircase with a 10 in. run, 7 1/2 in. rise and a 34 in. rake rail height. Contact us for prices on other sizes.

~ 32 in. balusters are designed for a Knee Wall (closed stringer) design. The profiles run parallel with the hand rail (Rake Rail Oriented Design).

~ 35 in. and 39 in. balusters are a Rake Rail Oriented Design (profiles follow handrail).

~ 41 in. balusters are used primarily for balconies, volutes, turnouts, ext.

**CAMBRIDGE SERIES  
NEWELS**



POST TO POST

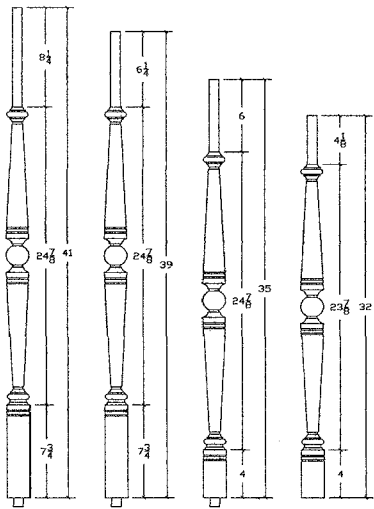
OVER THE POST

ITEM #	DESCRIPTION	PAIN T GRADE	ASH	RED OAK	EURO BEECH	HARD MAPLE	HICKORY	WHITE OAK	AMERICAN CHERRY	BRAZILIAN CHERRY	SUPERIOR ALDER
	POST TO POST										
K2101-53-6	53" w/ 6" Flat	\$ 97.80	\$ 97.80	\$ 97.80	\$ 104.95	\$ 119.25	\$ 119.25	\$ 119.25	\$ 131.20	\$ 131.20	\$ 131.20
K2101-57-10	57" w/ 10" Flat	\$ 105.20	\$ 105.20	\$ 105.20	\$ 112.86	\$ 128.25	\$ 128.25	\$ 128.25	\$ 141.10	\$ 141.10	\$ 141.10
K2101-57-13	57" w/ 13" Flat	\$ 105.20	\$ 105.20	\$ 105.20	\$ 112.86	\$ 128.25	\$ 128.25	\$ 128.25	\$ 141.10	\$ 141.10	\$ 141.10
K2101-70-13	70" w/ 13" Flat	\$ 129.15	\$ 129.15	\$ 129.15	\$ 138.60	\$ 157.50	\$ 157.50	\$ 157.50	\$ 173.25	\$ 173.25	\$ 173.25
	OVER THE POST										
K2201-44	44" Pin-Top / Round Bot	\$ 81.20	\$ 81.20	\$ 81.20	\$ 87.20	\$ 99.00	\$ 99.00	\$ 99.00	\$ 108.90	\$ 108.90	\$ 108.90
K2201-48	48" Pin-Top	\$ 88.60	\$ 88.60	\$ 88.60	\$ 95.05	\$ 108.00	\$ 108.00	\$ 108.00	\$ 118.80	\$ 118.80	\$ 118.80
K2201-60	60" Pin-Top	\$ 110.70	\$ 110.70	\$ 110.70	\$ 118.80	\$ 135.00	\$ 135.00	\$ 135.00	\$ 148.50	\$ 148.50	\$ 148.50

All newels are 3 1/2 by 3 1/2 and are designed for a staircase with a 10 in. run, 7 1/2 in. rise and a 34 in. rake rail height.

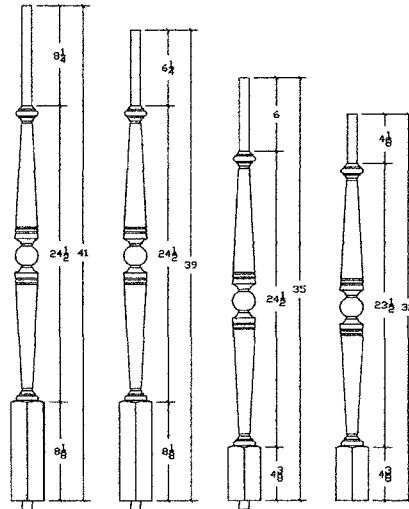
Contact us for prices on other sizes.

## WELLINGTON SERIES BALUSTERS



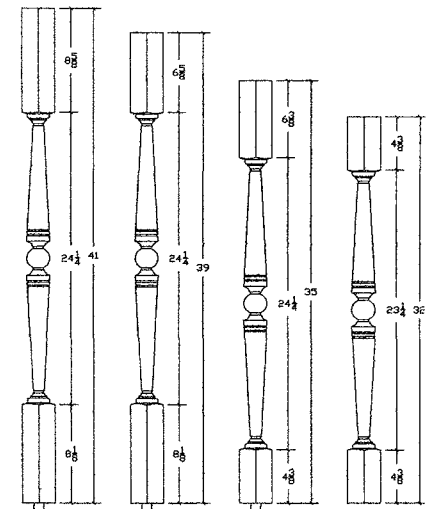
K1102-41 K1102-39 K1102-35 K1102-32

Pin-Top Round Bottom



K1202-41 K1202-39 K1202-35 K1202-32

Pin-Top Square Bottom



K1302-41 K1302-39 K1302-35 K1302-32

Square-Top Square Bottom

ITEM #	DESCRIPTION	PAINT GRADE	ASH	RED OAK	EURO BEECH	HARD MAPLE	HICKORY	WHITE OAK	AMERICAN CHERRY	BRAZILIAN CHERRY	SUPERIOR ALDER
<b>PIN-TOP ROUND BOTTOM</b>											
K1102-32	32" Pin-Top w/ Round Bottom	\$ 20.16	\$ 20.16	\$ 20.16	\$ 21.60	\$ 24.48	\$ 24.48	\$ 24.48	\$ 27.36	\$ 27.36	\$ 27.36
K1102-35	35" Pin-Top w/ Round Bottom	\$ 22.05	\$ 22.05	\$ 22.05	\$ 23.63	\$ 26.78	\$ 26.78	\$ 26.78	\$ 29.93	\$ 29.93	\$ 29.93
K1102-39	39" Pin-Top w/ Round Bottom	\$ 24.57	\$ 24.57	\$ 24.57	\$ 26.33	\$ 29.84	\$ 29.84	\$ 29.84	\$ 33.35	\$ 33.35	\$ 33.35
K1102-41	41" Pin-Top w/ Round Bottom	\$ 25.83	\$ 25.83	\$ 25.83	\$ 27.68	\$ 31.37	\$ 31.37	\$ 31.37	\$ 35.06	\$ 35.06	\$ 35.06
<b>PIN-TOP SQUARE BOTTOM</b>											
K1202-32	32" Pin-Top w/ Square Bottom	\$ 20.16	\$ 20.16	\$ 20.16	\$ 21.60	\$ 24.48	\$ 24.48	\$ 24.48	\$ 27.36	\$ 27.36	\$ 27.36
K1202-35	35" Pin-Top w/ Square Bottom	\$ 22.05	\$ 22.05	\$ 22.05	\$ 23.63	\$ 26.78	\$ 26.78	\$ 26.78	\$ 29.93	\$ 29.93	\$ 29.93
K1202-39	39" Pin-Top w/ Square Bottom	\$ 24.57	\$ 24.57	\$ 24.57	\$ 26.33	\$ 29.84	\$ 29.84	\$ 29.84	\$ 33.35	\$ 33.35	\$ 33.35
K1202-41	41" Pin-Top w/ Square Bottom	\$ 25.83	\$ 25.83	\$ 25.83	\$ 27.68	\$ 31.37	\$ 31.37	\$ 31.37	\$ 35.06	\$ 35.06	\$ 35.06
<b>SQUARE-TOP &amp; BOTTOM</b>											
K1302-32	32" Square-Top & Bottom	\$ 20.16	\$ 20.16	\$ 20.16	\$ 21.60	\$ 24.48	\$ 24.48	\$ 24.48	\$ 27.36	\$ 27.36	\$ 27.36
K1302-35	35" Square-Top & Bottom	\$ 22.05	\$ 22.05	\$ 22.05	\$ 23.63	\$ 26.78	\$ 26.78	\$ 26.78	\$ 29.93	\$ 29.93	\$ 29.93
K1302-39	39" Square-Top & Bottom	\$ 24.57	\$ 24.57	\$ 24.57	\$ 26.33	\$ 29.84	\$ 29.84	\$ 29.84	\$ 33.35	\$ 33.35	\$ 33.35
K1302-41	41" Square-Top & Bottom	\$ 25.83	\$ 25.83	\$ 25.83	\$ 27.68	\$ 31.37	\$ 31.37	\$ 31.37	\$ 35.06	\$ 35.06	\$ 35.06

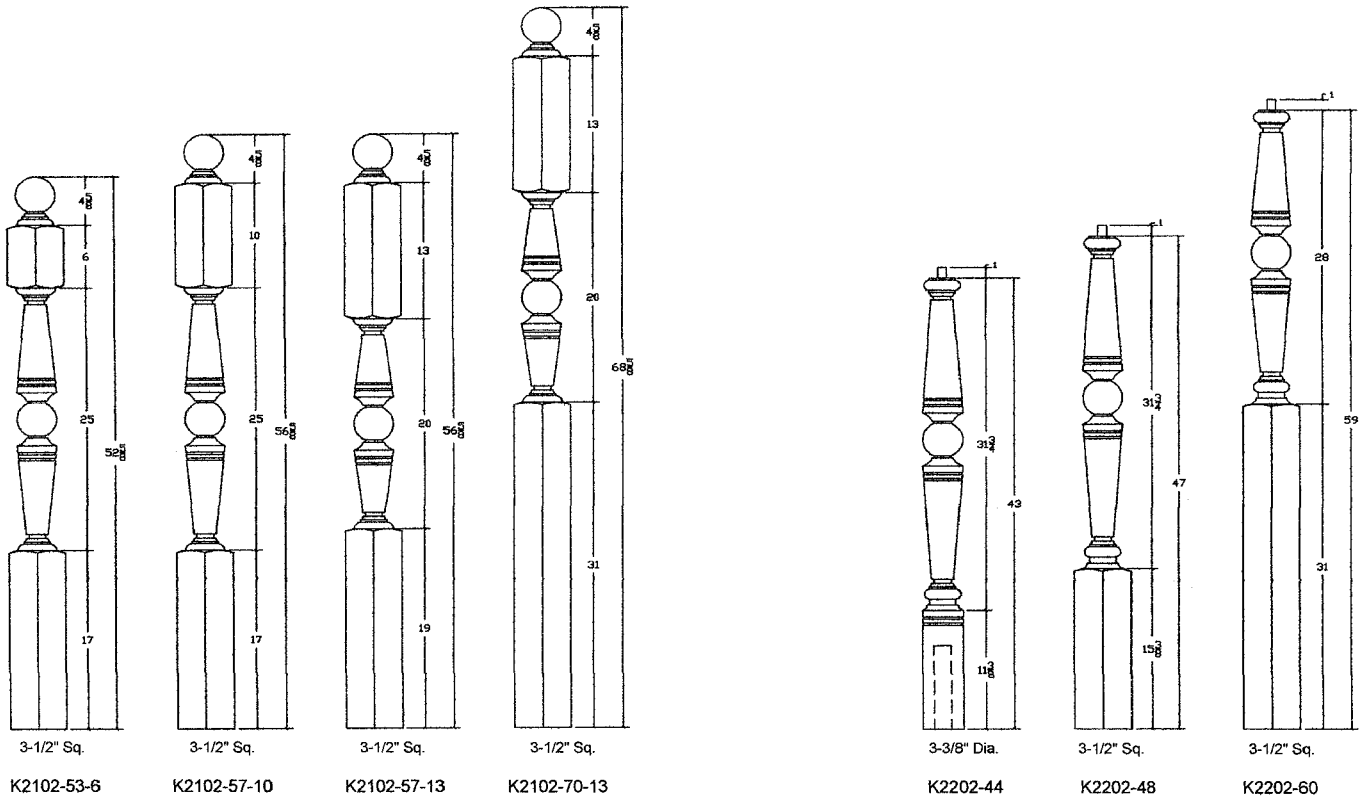
All balusters are 1 3/4 by 1 3/4 and are designed for a staircase with a 10 in. run, 7 1/2 in. rise and a 34 in. rake rail height. Contact us for prices on other sizes.

~ 32 in. balusters are designed for a Knee Wall (closed stringer) design. The profiles run parallel with the hand rail (Rake Rail Oriented Design).

~ 35 in. and 39 in. balusters are a Rake Rail Oriented Design (profiles follow handrail).

~ 41 in. balusters are used primarily for balconies, volutes, turnouts, ext.

**WELLINGTON SERIES  
NEWELS**



POST TO POST

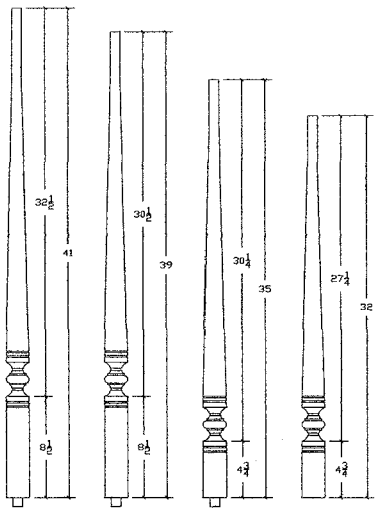
OVER THE POST

ITEM #	DESCRIPTION	PAINT GRADE	ASH	RED OAK	EURO BEECH	HARD MAPLE	HICKORY	WHITE OAK	AMERICAN CHERRY	BRAZILIAN CHERRY	SUPERIOR ALDER
POST TO POST											
K2102-53-6	53" w/ 6" Flat	\$ 97.80	\$ 97.80	\$ 97.80	\$ 104.95	\$ 119.25	\$ 119.25	\$ 119.25	\$ 131.20	\$ 131.20	\$ 131.20
K2102-57-10	57" w/ 10" Flat	\$ 105.20	\$ 105.20	\$ 105.20	\$ 112.86	\$ 128.25	\$ 128.25	\$ 128.25	\$ 141.10	\$ 141.10	\$ 141.10
K2102-57-13	57" w/ 13" Flat	\$ 105.20	\$ 105.20	\$ 105.20	\$ 112.86	\$ 128.25	\$ 128.25	\$ 128.25	\$ 141.10	\$ 141.10	\$ 141.10
K2102-70-13	70" w/ 13" Flat	\$ 129.15	\$ 129.15	\$ 129.15	\$ 138.60	\$ 157.50	\$ 157.50	\$ 157.50	\$ 173.25	\$ 173.25	\$ 173.25
OVER THE POST											
K2202-44	44" Pin-Top / Round Bot	\$ 81.20	\$ 81.20	\$ 81.20	\$ 87.20	\$ 99.00	\$ 99.00	\$ 99.00	\$ 108.90	\$ 108.90	\$ 108.90
K2202-48	48" Pin-Top	\$ 88.60	\$ 88.60	\$ 88.60	\$ 95.05	\$ 108.00	\$ 108.00	\$ 108.00	\$ 118.80	\$ 118.80	\$ 118.80
K2202-60	60" Pin-Top	\$ 110.70	\$ 110.70	\$ 110.70	\$ 118.80	\$ 135.00	\$ 135.00	\$ 135.00	\$ 148.50	\$ 148.50	\$ 148.50

All newels are 3 1/2 by 3 1/2 and are designed for a staircase with a 10 in. run, 7 1/2 in. rise and a 34 in. rake rail height.

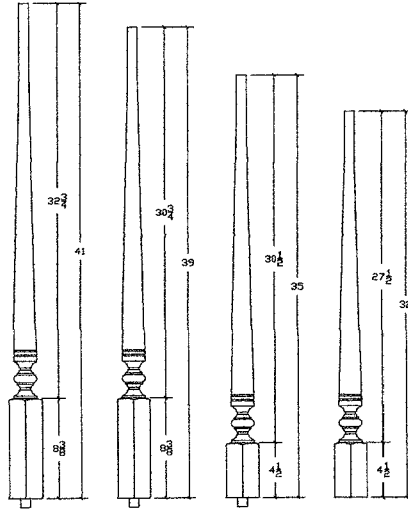
Contact us for prices on other sizes.

## BELLINGHAM SERIES BALUSTERS



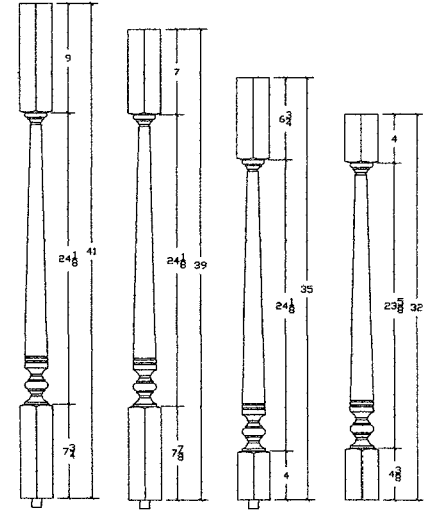
K1103-41 K1103-39 K1103-35 K1103-32

Pin-Top Round Bottom



K1203-41 K1203-39 K1203-35 K1203-32

Pin-Top Square Bottom



K1303-41 K1303-39 K1303-35 K1303-32

Square-Top Square Bottom

ITEM #	DESCRIPTION	PAINT GRADE	ASH	RED OAK	EURO BEECH	HARD MAPLE	HICKORY	WHITE OAK	AMERICAN CHERRY	BRAZILIAN CHERRY	SUPERIOR ALDER
	<b>PIN-TOP ROUND BOTTOM</b>										
K1103-32	32" Pin-Top w/ Round Bottom	\$ 20.16	\$ 20.16	\$ 20.16	\$ 21.60	\$ 24.48	\$ 24.48	\$ 24.48	\$ 27.36	\$ 27.36	\$ 27.36
K1103-35	35" Pin-Top w/ Round Bottom	\$ 22.05	\$ 22.05	\$ 22.05	\$ 23.63	\$ 26.78	\$ 26.78	\$ 26.78	\$ 29.93	\$ 29.93	\$ 29.93
K1103-39	39" Pin-Top w/ Round Bottom	\$ 24.57	\$ 24.57	\$ 24.57	\$ 26.33	\$ 29.84	\$ 29.84	\$ 29.84	\$ 33.35	\$ 33.35	\$ 33.35
K1103-41	41" Pin-Top w/ Round Bottom	\$ 25.83	\$ 25.83	\$ 25.83	\$ 27.68	\$ 31.37	\$ 31.37	\$ 31.37	\$ 35.06	\$ 35.06	\$ 35.06
	<b>PIN-TOP SQUARE BOTTOM</b>										
K1203-32	32" Pin-Top w/ Square Bottom	\$ 20.16	\$ 20.16	\$ 20.16	\$ 21.60	\$ 24.48	\$ 24.48	\$ 24.48	\$ 27.36	\$ 27.36	\$ 27.36
K1203-35	35" Pin-Top w/ Square Bottom	\$ 22.05	\$ 22.05	\$ 22.05	\$ 23.63	\$ 26.78	\$ 26.78	\$ 26.78	\$ 29.93	\$ 29.93	\$ 29.93
K1203-39	39" Pin-Top w/ Square Bottom	\$ 24.57	\$ 24.57	\$ 24.57	\$ 26.33	\$ 29.84	\$ 29.84	\$ 29.84	\$ 33.35	\$ 33.35	\$ 33.35
K1203-41	41" Pin-Top w/ Square Bottom	\$ 25.83	\$ 25.83	\$ 25.83	\$ 27.68	\$ 31.37	\$ 31.37	\$ 31.37	\$ 35.06	\$ 35.06	\$ 35.06
	<b>SQUARE-TOP &amp; BOTTOM</b>										
K1303-32	32" Square-Top & Bottom	\$ 20.16	\$ 20.16	\$ 20.16	\$ 21.60	\$ 24.48	\$ 24.48	\$ 24.48	\$ 27.36	\$ 27.36	\$ 27.36
K1303-35	35" Square-Top & Bottom	\$ 22.05	\$ 22.05	\$ 22.05	\$ 23.63	\$ 26.78	\$ 26.78	\$ 26.78	\$ 29.93	\$ 29.93	\$ 29.93
K1303-39	39" Square-Top & Bottom	\$ 24.57	\$ 24.57	\$ 24.57	\$ 26.33	\$ 29.84	\$ 29.84	\$ 29.84	\$ 33.35	\$ 33.35	\$ 33.35
K1303-41	41" Square-Top & Bottom	\$ 25.83	\$ 25.83	\$ 25.83	\$ 27.68	\$ 31.37	\$ 31.37	\$ 31.37	\$ 35.06	\$ 35.06	\$ 35.06

All balusters are 1 3/4 by 1 3/4 and are designed for a staircase with a 10 in. run, 7 1/2 in. rise and a 34 in. rake rail height. Contact us for prices on other sizes.

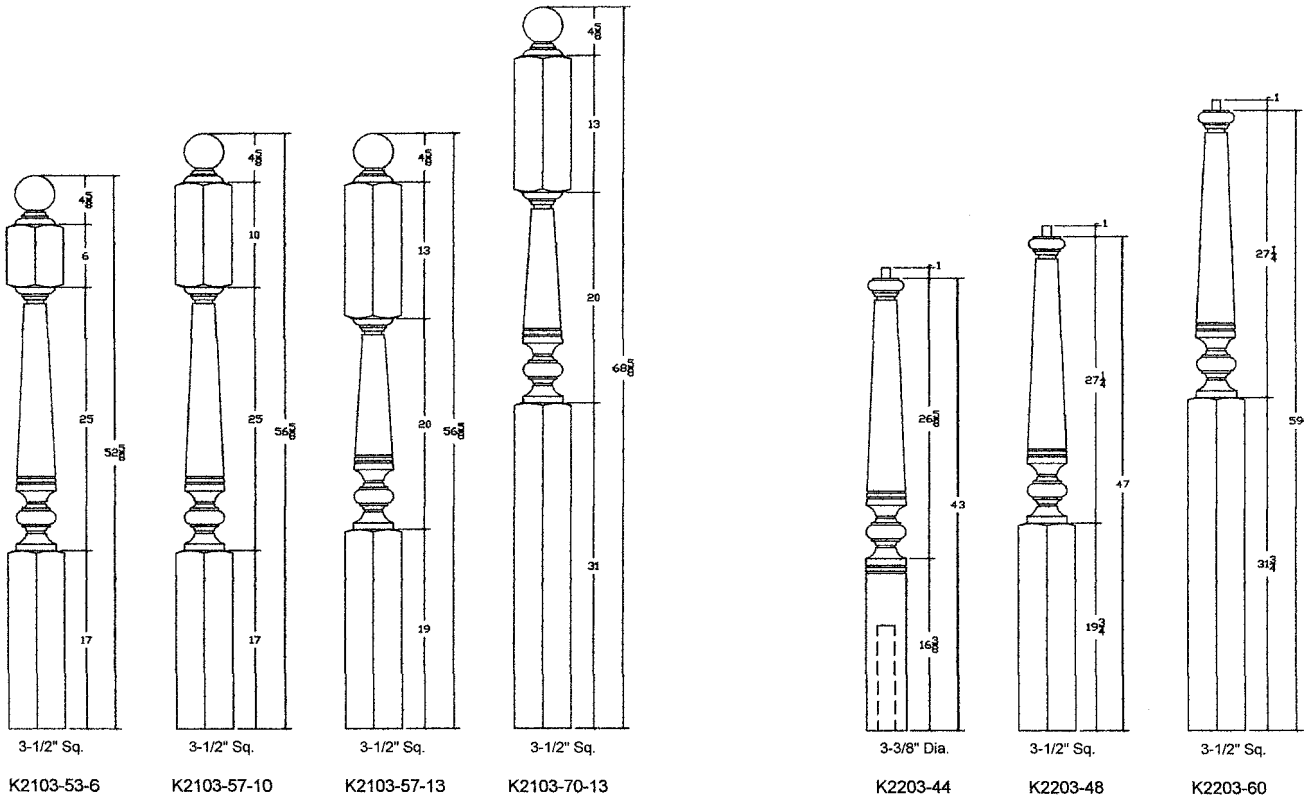
~ 32 in. balusters are designed for a Knee Wall (closed stringer) design. The profiles run parallel with the hand rail (Rake Rail Oriented Design).

~ 35 in. and 39 in. balusters are a Rake Rail Oriented Design (profiles follow handrail).

~ 41 in. balusters are used primarily for balconies, volutes, turnouts, ext.

**2008 PRICE LIST**

**BELLINGHAM SERIES  
NEWELS**



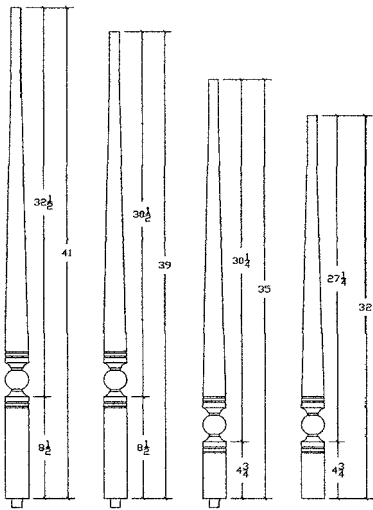
POST TO POST

OVER THE POST

ITEM #	DESCRIPTION	PAIN T GRADE	ASH	RED OAK	EURO BEECH	HARD MAPLE	HICKORY	WHITE OAK	AMERICAN CHERRY	BRAZILIAN CHERRY	SUPERIOR ALDER
POST TO POST											
K2103-53-6	53" w/ 6" Flat	\$ 97.80	\$ 97.80	\$ 97.80	\$ 104.95	\$ 119.25	\$ 119.25	\$ 119.25	\$ 131.20	\$ 131.20	\$ 131.20
K2103-57-10	57" w/ 10" Flat	\$ 105.20	\$ 105.20	\$ 105.20	\$ 112.86	\$ 128.25	\$ 128.25	\$ 128.25	\$ 141.10	\$ 141.10	\$ 141.10
K2103-57-13	57" w/ 13" Flat	\$ 105.20	\$ 105.20	\$ 105.20	\$ 112.86	\$ 128.25	\$ 128.25	\$ 128.25	\$ 141.10	\$ 141.10	\$ 141.10
K2103-70-13	70" w/ 13" Flat	\$ 129.15	\$ 129.15	\$ 129.15	\$ 138.60	\$ 157.50	\$ 157.50	\$ 157.50	\$ 173.25	\$ 173.25	\$ 173.25
OVER THE POST											
K2203-44	44" Pin-Top / Round Bot	\$ 81.20	\$ 81.20	\$ 81.20	\$ 87.20	\$ 99.00	\$ 99.00	\$ 99.00	\$ 108.90	\$ 108.90	\$ 108.90
K2203-48	48" Pin-Top	\$ 88.60	\$ 88.60	\$ 88.60	\$ 95.05	\$ 108.00	\$ 108.00	\$ 108.00	\$ 118.80	\$ 118.80	\$ 118.80
K2203-60	60" Pin-Top	\$ 110.70	\$ 110.70	\$ 110.70	\$ 118.80	\$ 135.00	\$ 135.00	\$ 135.00	\$ 148.50	\$ 148.50	\$ 148.50

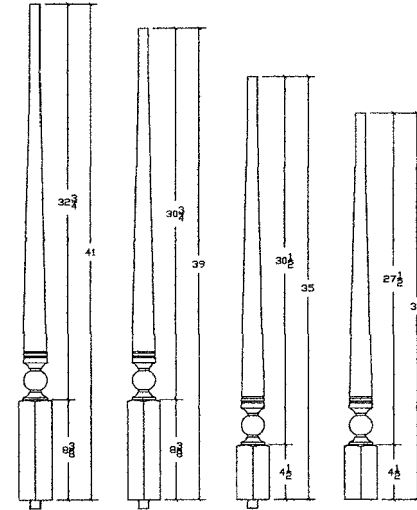
All newels are 3 1/2 by 3 1/2 and are designed for a staircase with a 10 in. run, 7 1/2 in. rise and a 34 in. rake rail height.  
Contact us for prices on other sizes.

## WESTBURY SERIES BALUSTERS



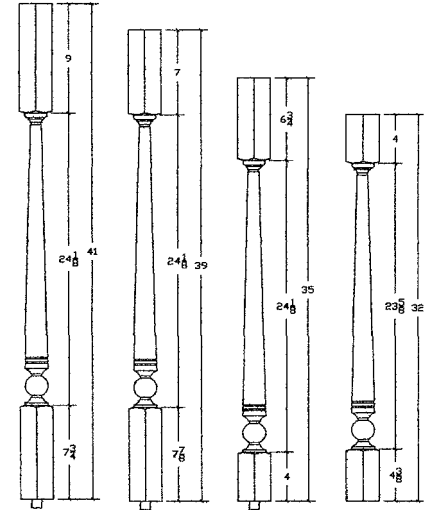
K1104-41 K1104-39 K1104-35 K1104-32

Pin-Top Round Bottom



K1204-41 K1204-39 K1204-35 K1204-32

Pin-Top Square Bottom



K1304-41 K1304-39 K1304-35 K1304-32

Square-Top Square Bottom

ITEM #	DESCRIPTION	PAINT GRADE	ASH	RED OAK	EURO BEECH	HARD MAPLE	HICKORY	WHITE OAK	AMERICAN CHERRY	BRAZILIAN CHERRY	SUPERIOR ALDER
	PIN-TOP ROUND BOTTOM										
K1104-32	32" Pin-Top w/ Round Bottom	\$ 20.16	\$ 20.16	\$ 20.16	\$ 21.60	\$ 24.48	\$ 24.48	\$ 24.48	\$ 27.36	\$ 27.36	\$ 27.36
K1104-35	35" Pin-Top w/ Round Bottom	\$ 22.05	\$ 22.05	\$ 22.05	\$ 23.63	\$ 26.78	\$ 26.78	\$ 26.78	\$ 29.93	\$ 29.93	\$ 29.93
K1104-39	39" Pin-Top w/ Round Bottom	\$ 24.57	\$ 24.57	\$ 24.57	\$ 26.33	\$ 29.84	\$ 29.84	\$ 29.84	\$ 33.35	\$ 33.35	\$ 33.35
K1104-41	41" Pin-Top w/ Round Bottom	\$ 25.83	\$ 25.83	\$ 25.83	\$ 27.68	\$ 31.37	\$ 31.37	\$ 31.37	\$ 35.06	\$ 35.06	\$ 35.06
	PIN-TOP SQUARE BOTTOM										
K1204-32	32" Pin-Top w/ Square Bottom	\$ 20.16	\$ 20.16	\$ 20.16	\$ 21.60	\$ 24.48	\$ 24.48	\$ 24.48	\$ 27.36	\$ 27.36	\$ 27.36
K1204-35	35" Pin-Top w/ Square Bottom	\$ 22.05	\$ 22.05	\$ 22.05	\$ 23.63	\$ 26.78	\$ 26.78	\$ 26.78	\$ 29.93	\$ 29.93	\$ 29.93
K1204-39	39" Pin-Top w/ Square Bottom	\$ 24.57	\$ 24.57	\$ 24.57	\$ 26.33	\$ 29.84	\$ 29.84	\$ 29.84	\$ 33.35	\$ 33.35	\$ 33.35
K1204-41	41" Pin-Top w/ Square Bottom	\$ 25.83	\$ 25.83	\$ 25.83	\$ 27.68	\$ 31.37	\$ 31.37	\$ 31.37	\$ 35.06	\$ 35.06	\$ 35.06
	SQUARE-TOP & BOTTOM										
K1304-32	32" Square-Top & Bottom	\$ 20.16	\$ 20.16	\$ 20.16	\$ 21.60	\$ 24.48	\$ 24.48	\$ 24.48	\$ 27.36	\$ 27.36	\$ 27.36
K1304-35	35" Square-Top & Bottom	\$ 22.05	\$ 22.05	\$ 22.05	\$ 23.63	\$ 26.78	\$ 26.78	\$ 26.78	\$ 29.93	\$ 29.93	\$ 29.93
K1304-39	39" Square-Top & Bottom	\$ 24.57	\$ 24.57	\$ 24.57	\$ 26.33	\$ 29.84	\$ 29.84	\$ 29.84	\$ 33.35	\$ 33.35	\$ 33.35
K1304-41	41" Square-Top & Bottom	\$ 25.83	\$ 25.83	\$ 25.83	\$ 27.68	\$ 31.37	\$ 31.37	\$ 31.37	\$ 35.06	\$ 35.06	\$ 35.06

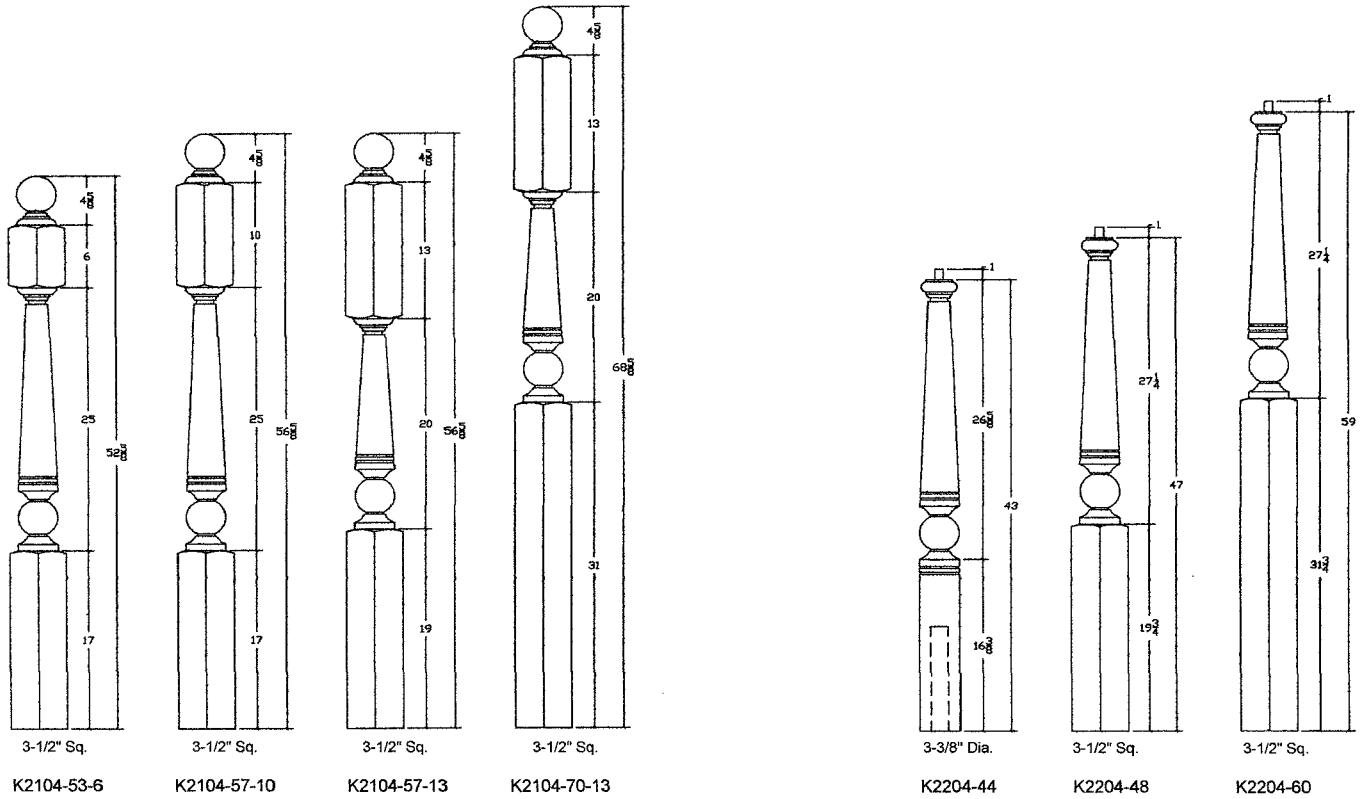
All balusters are 1 3/4 by 1 3/4 and are designed for a staircase with a 10 in. run, 7 1/2 in. rise and a 34 in. rake rail height. Contact us for prices on other sizes.

~ 32 in. balusters are designed for a Knee Wall (closed stringer) design. The profiles run parallel with the hand rail (Rake Rail Oriented Design).

~ 35 in. and 39 in. balusters are a Rake Rail Oriented Design (profiles follow handrail).

~ 41 in. balusters are used primarily for balconies, volutes, turnouts, ext.

**WESTBURY SERIES**  
**NEWELS**



POST TO POST

OVER THE POST

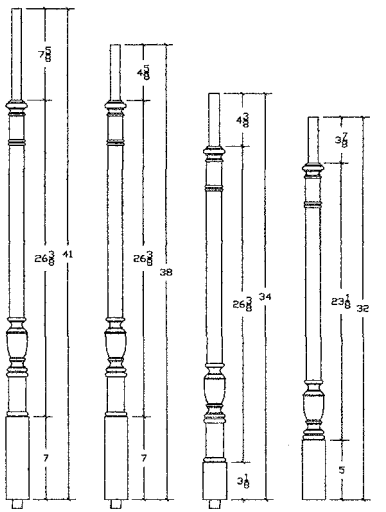
ITEM #	DESCRIPTION	PAINT GRADE	ASH	RED OAK	EURO BEECH	HARD MAPLE	HICKORY	WHITE OAK	AMERICAN CHERRY	BRAZILIAN CHERRY	SUPERIOR ALDER
POST TO POST											
K2104-53-6	53" w/ 6" Flat	\$ 97.80	\$ 97.80	\$ 97.80	\$ 104.95	\$ 119.25	\$ 119.25	\$ 119.25	\$ 131.20	\$ 131.20	\$ 131.20
K2104-57-10	57" w/ 10" Flat	\$ 105.20	\$ 105.20	\$ 105.20	\$ 112.86	\$ 128.25	\$ 128.25	\$ 128.25	\$ 141.10	\$ 141.10	\$ 141.10
K2104-57-13	57" w/ 13" Flat	\$ 105.20	\$ 105.20	\$ 105.20	\$ 112.86	\$ 128.25	\$ 128.25	\$ 128.25	\$ 141.10	\$ 141.10	\$ 141.10
K2104-70-13	70" w/ 13" Flat	\$ 129.15	\$ 129.15	\$ 129.15	\$ 138.60	\$ 157.50	\$ 157.50	\$ 157.50	\$ 173.25	\$ 173.25	\$ 173.25
OVER THE POST											
K2204-44	44" Pin-Top / Round Bot	\$ 81.20	\$ 81.20	\$ 81.20	\$ 87.20	\$ 99.00	\$ 99.00	\$ 99.00	\$ 108.90	\$ 108.90	\$ 108.90
K2204-48	48" Pin-Top	\$ 88.60	\$ 88.60	\$ 88.60	\$ 95.05	\$ 108.00	\$ 108.00	\$ 108.00	\$ 118.80	\$ 118.80	\$ 118.80
K2204-60	60" Pin-Top	\$ 110.70	\$ 110.70	\$ 110.70	\$ 118.80	\$ 135.00	\$ 135.00	\$ 135.00	\$ 148.50	\$ 148.50	\$ 148.50

All newels are 3 1/2 by 3 1/2 and are designed for a staircase with a 10 in. run, 7 1/2 in. rise and a 34 in. rake rail height.

Contact us for prices on other sizes.

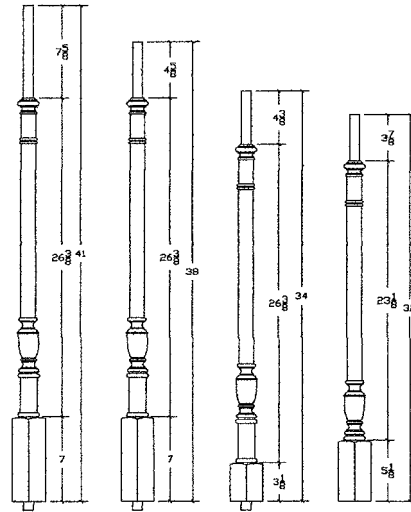
**2008 PRICE LIST**

## KINGSTON SERIES BALUSTERS



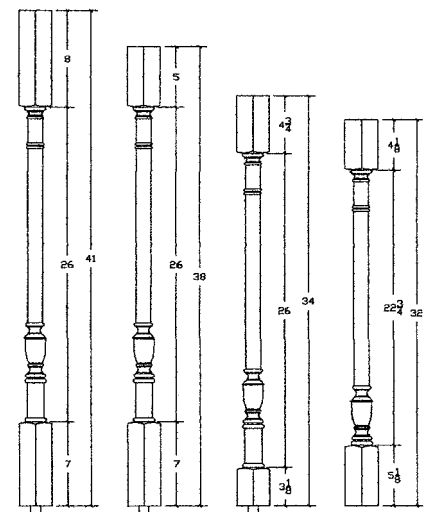
K1105-41 K1105-39 K1105-35 K1105-32

**Pin-Top Round Bottom**



K1205-41 K1205-39 K1205-35 K1205-32

**Pin-Top Square Bottom**



K1305-41 K1305-39 K1305-35 K1305-32

**Square-Top Square Bottom**

ITEM #	DESCRIPTION	PAINT GRADE	ASH	RED OAK	EURO BEECH	HARD MAPLE	HICKORY	WHITE OAK	AMERICAN CHERRY	BRAZILIAN CHERRY	SUPERIOR ALDER
	<b>PIN-TOP ROUND BOTTOM</b>										
K1105-32	32" Pin-Top w/ Round Bottom	\$ 20.16	\$ 20.16	\$ 20.16	\$ 21.60	\$ 24.48	\$ 24.48	\$ 24.48	\$ 27.36	\$ 27.36	\$ 27.36
K1105-35	35" Pin-Top w/ Round Bottom	\$ 22.05	\$ 22.05	\$ 22.05	\$ 23.63	\$ 26.78	\$ 26.78	\$ 26.78	\$ 29.93	\$ 29.93	\$ 29.93
K1105-39	39" Pin-Top w/ Round Bottom	\$ 24.57	\$ 24.57	\$ 24.57	\$ 26.33	\$ 29.84	\$ 29.84	\$ 29.84	\$ 33.35	\$ 33.35	\$ 33.35
K1105-41	41" Pin-Top w/ Round Bottom	\$ 25.83	\$ 25.83	\$ 25.83	\$ 27.68	\$ 31.37	\$ 31.37	\$ 31.37	\$ 35.06	\$ 35.06	\$ 35.06
	<b>PIN-TOP SQUARE BOTTOM</b>										
K1205-32	32" Pin-Top w/ Square Bottom	\$ 20.16	\$ 20.16	\$ 20.16	\$ 21.60	\$ 24.48	\$ 24.48	\$ 24.48	\$ 27.36	\$ 27.36	\$ 27.36
K1205-35	35" Pin-Top w/ Square Bottom	\$ 22.05	\$ 22.05	\$ 22.05	\$ 23.63	\$ 26.78	\$ 26.78	\$ 26.78	\$ 29.93	\$ 29.93	\$ 29.93
K1205-39	39" Pin-Top w/ Square Bottom	\$ 24.57	\$ 24.57	\$ 24.57	\$ 26.33	\$ 29.84	\$ 29.84	\$ 29.84	\$ 33.35	\$ 33.35	\$ 33.35
K1205-41	41" Pin-Top w/ Square Bottom	\$ 25.83	\$ 25.83	\$ 25.83	\$ 27.68	\$ 31.37	\$ 31.37	\$ 31.37	\$ 35.06	\$ 35.06	\$ 35.06
	<b>SQUARE-TOP &amp; BOTTOM</b>										
K1305-32	32" Square-Top & Bottom	\$ 20.16	\$ 20.16	\$ 20.16	\$ 21.60	\$ 24.48	\$ 24.48	\$ 24.48	\$ 27.36	\$ 27.36	\$ 27.36
K1305-35	35" Square-Top & Bottom	\$ 22.05	\$ 22.05	\$ 22.05	\$ 23.63	\$ 26.78	\$ 26.78	\$ 26.78	\$ 29.93	\$ 29.93	\$ 29.93
K1305-39	39" Square-Top & Bottom	\$ 24.57	\$ 24.57	\$ 24.57	\$ 26.33	\$ 29.84	\$ 29.84	\$ 29.84	\$ 33.35	\$ 33.35	\$ 33.35
K1305-41	41" Square-Top & Bottom	\$ 25.83	\$ 25.83	\$ 25.83	\$ 27.68	\$ 31.37	\$ 31.37	\$ 31.37	\$ 35.06	\$ 35.06	\$ 35.06

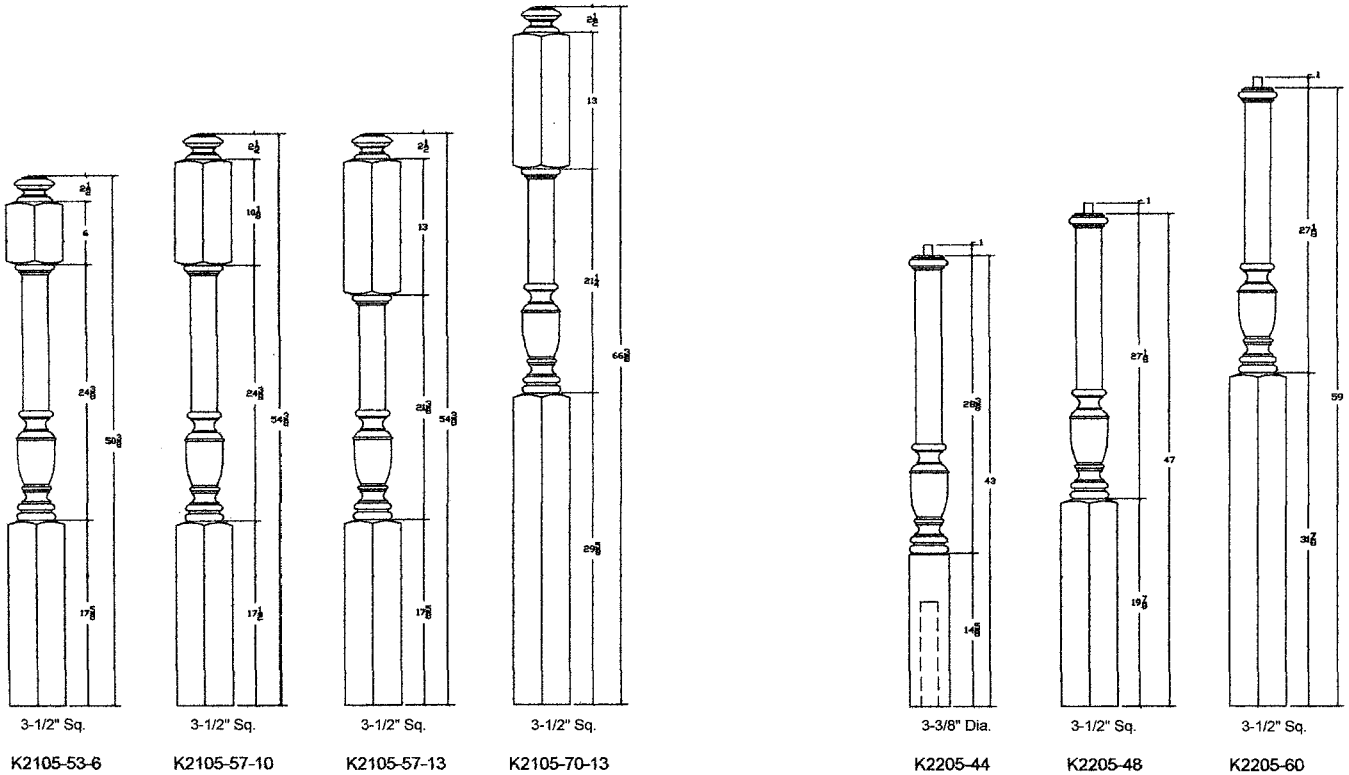
All balusters are 1 3/4 by 1 3/4 and are designed for a staircase with a 10 in. run, 7 1/2 in. rise and a 34 in. rake rail height. Contact us for prices on other sizes.

~ 32 in. balusters are designed for a Knee Wall (closed stringer) design. The profiles run parallel with the hand rail (Rake Rail Oriented Design).

~ 35 in. and 39 in. balusters are a Rake Rail Oriented Design (profiles follow handrail).

~ 41 in. balusters are used primarily for balconies, volutes, turnouts, ext.

**KINGSTON SERIES**  
**NEWELS**



POST TO POST

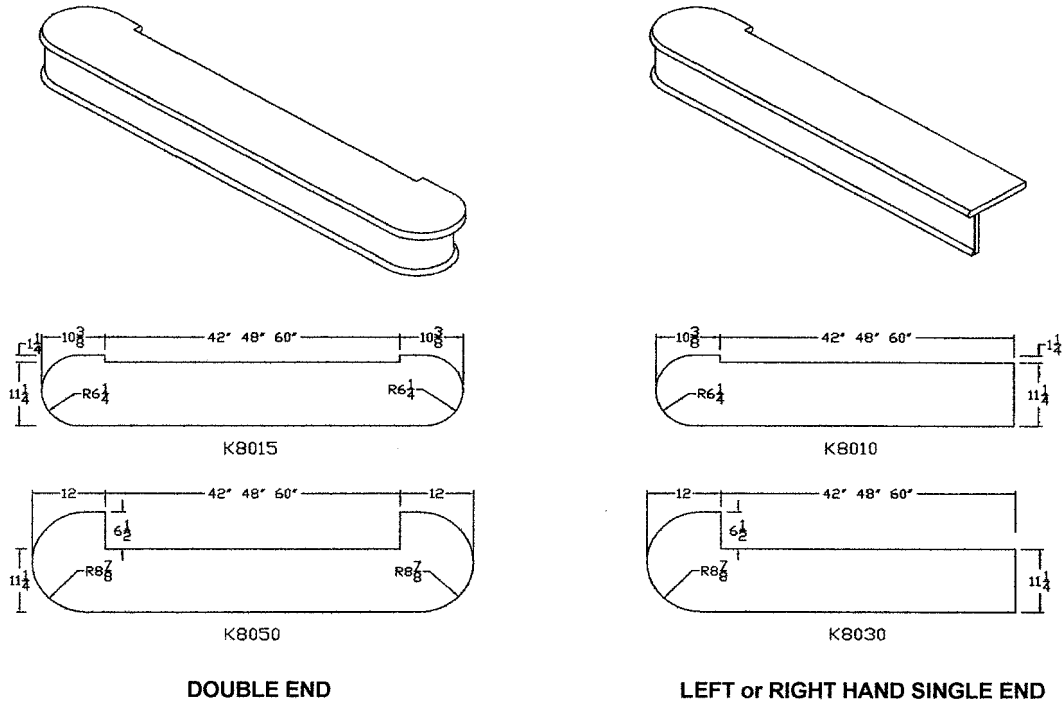
OVER THE POST

ITEM #	DESCRIPTION	PAINT GRADE	ASH	RED OAK	EURO BEECH	HARD MAPLE	HICKORY	WHITE OAK	AMERICAN CHERRY	BRAZILIAN CHERRY	SUPERIOR ALDER
POST TO POST											
K2105-53-6	53" w/ 6" Flat	\$ 97.80	\$ 97.80	\$ 97.80	\$ 104.95	\$ 119.25	\$ 119.25	\$ 119.25	\$ 131.20	\$ 131.20	\$ 131.20
K2105-57-10	57" w/ 10" Flat	\$ 105.20	\$ 105.20	\$ 105.20	\$ 112.86	\$ 128.25	\$ 128.25	\$ 128.25	\$ 141.10	\$ 141.10	\$ 141.10
K2105-57-13	57" w/ 13" Flat	\$ 105.20	\$ 105.20	\$ 105.20	\$ 112.86	\$ 128.25	\$ 128.25	\$ 128.25	\$ 141.10	\$ 141.10	\$ 141.10
K2105-70-13	70" w/ 13" Flat	\$ 129.15	\$ 129.15	\$ 129.15	\$ 138.60	\$ 157.50	\$ 157.50	\$ 157.50	\$ 173.25	\$ 173.25	\$ 173.25
OVER THE POST											
K2205-44	44" Pin-Top / Round Bot	\$ 81.20	\$ 81.20	\$ 81.20	\$ 87.20	\$ 99.00	\$ 99.00	\$ 99.00	\$ 108.90	\$ 108.90	\$ 108.90
K2205-48	48" Pin-Top	\$ 88.60	\$ 88.60	\$ 88.60	\$ 95.05	\$ 108.00	\$ 108.00	\$ 108.00	\$ 118.80	\$ 118.80	\$ 118.80
K2205-60	60" Pin-Top	\$ 110.70	\$ 110.70	\$ 110.70	\$ 118.80	\$ 135.00	\$ 135.00	\$ 135.00	\$ 148.50	\$ 148.50	\$ 148.50

All newels are designed for a staircase with a 10 in. run, 7 1/2 in. rise and a 34 in. rake rail height.

Contact us for prices on other sizes.

**STARTING STEPS**



**DOUBLE END**

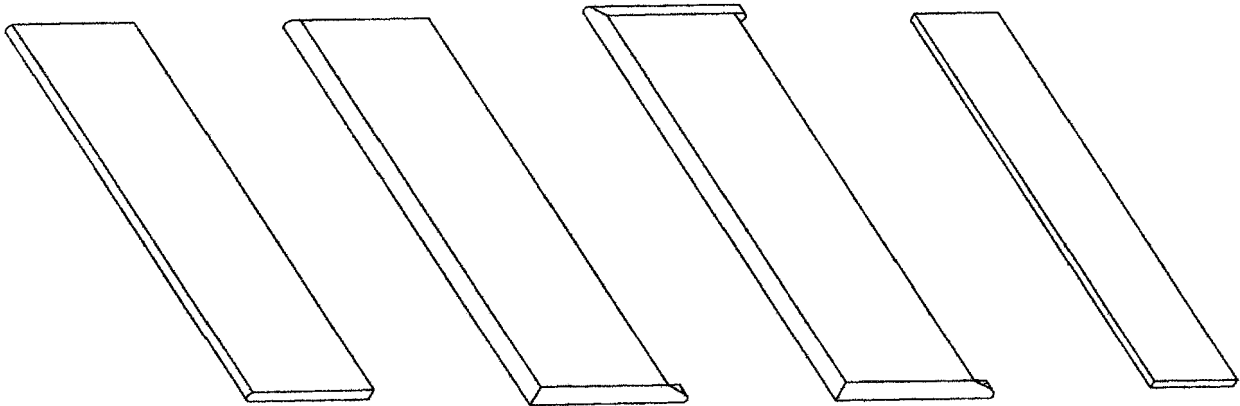
**LEFT or RIGHT HAND SINGLE END**

ITEM #	DESCRIPTION	PAINT GRADE	ASH	RED OAK	EURO BEECH	HARD MAPLE	HICKORY	WHITE OAK	AMERICAN CHERRY	BRAZILIAN CHERRY	SUPERIOR ALDER
	<b>K8010 LEFT or RIGHT</b>										
K8010-42	42" L or R Hand	\$ 164.09	\$ 164.09	\$ 164.09	\$ 196.92	\$ 218.79	\$ 218.79	\$ 218.79	\$ 257.42	\$ 257.42	\$ 257.42
K8010-48	48" L or R Hand	\$ 193.05	\$ 193.05	\$ 193.05	\$ 231.66	\$ 257.40	\$ 257.40	\$ 257.40	\$ 302.85	\$ 302.85	\$ 302.85
K8010-60	60" L or R Hand	\$ 227.12	\$ 227.12	\$ 227.12	\$ 272.54	\$ 302.82	\$ 302.82	\$ 302.82	\$ 356.29	\$ 356.29	\$ 356.29
	<b>K8015 DOUBLE</b>										
K8015-42	42" Double End	\$ 232.94	\$ 232.94	\$ 232.94	\$ 279.53	\$ 310.59	\$ 310.59	\$ 310.59	\$ 365.50	\$ 365.50	\$ 365.50
K8015-48	48" Double End	\$ 274.05	\$ 274.05	\$ 274.05	\$ 328.86	\$ 365.40	\$ 365.40	\$ 365.40	\$ 430.00	\$ 430.00	\$ 430.00
K8015-60	60" Double End	\$ 322.41	\$ 322.41	\$ 322.41	\$ 386.89	\$ 429.88	\$ 429.88	\$ 429.88	\$ 505.88	\$ 505.88	\$ 505.88
	<b>K8030 LEFT or RIGHT</b>										
K8030-42	42" L or R Hand	\$ 234.43	\$ 234.43	\$ 234.43	\$ 274.02	\$ 304.74	\$ 304.74	\$ 304.74	\$ 358.22	\$ 358.22	\$ 358.22
K8030-48	48" L or R Hand	\$ 275.80	\$ 275.80	\$ 275.80	\$ 322.38	\$ 358.52	\$ 358.52	\$ 358.52	\$ 421.43	\$ 421.43	\$ 421.43
K8030-60	60" L or R Hand	\$ 324.47	\$ 324.47	\$ 324.47	\$ 379.27	\$ 421.79	\$ 421.79	\$ 421.79	\$ 495.80	\$ 495.80	\$ 495.80
	<b>K8050 DOUBLE</b>										
K8050-42	42" Double End	\$ 304.74	\$ 304.74	\$ 304.74	\$ 365.71	\$ 406.30	\$ 406.30	\$ 406.30	\$ 478.05	\$ 478.05	\$ 478.05
K8050-48	48" Double End	\$ 358.52	\$ 358.52	\$ 358.52	\$ 430.25	\$ 478.00	\$ 478.00	\$ 478.00	\$ 562.41	\$ 562.41	\$ 562.41
K8050-60	60" Double End	\$ 421.79	\$ 421.79	\$ 421.79	\$ 506.18	\$ 562.35	\$ 562.35	\$ 562.35	\$ 661.66	\$ 661.66	\$ 661.66

Starting Steps come with all cove and shoe moulding.  
Tread are 1-1/16" thick. Risers are 3/4" by 7".  
Contact us for prices on other sizes.

2008 PRICE LIST

## TREAD and RISERS



K8070  
Tread

K8070-MR  
Left or Right Hand Miter Return

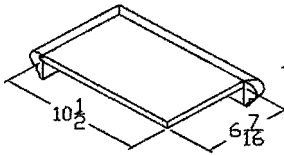
K8070-DBL-MR  
Double Mitered Return

K8075  
Riser

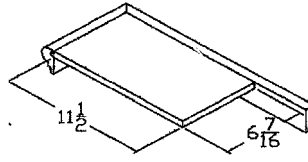
ITEM #	DESCRIPTION	PAINT GRADE	ASH	RED OAK	EURO BEECH	HARD MAPLE	HICKORY	WHITE OAK	AMERICAN CHERRY	BRAZILIAN CHERRY	SUPERIOR ALDER
	TREAD										
K8070-42	42" Tread	\$ 42.30	\$ 42.30	\$ 42.30	\$ 54.00	\$ 64.80	\$ 64.80	\$ 64.80	\$ 81.00	\$ 81.00	\$ 81.00
K8070-48	48" Tread	\$ 49.50	\$ 49.50	\$ 49.50	\$ 62.10	\$ 74.25	\$ 74.25	\$ 74.25	\$ 92.88	\$ 92.88	\$ 92.88
K8070-60	60" Tread	\$ 61.74	\$ 61.74	\$ 61.74	\$ 78.30	\$ 94.77	\$ 94.77	\$ 94.77	\$ 116.64	\$ 116.64	\$ 116.64
	LEFT or RIGHT RETURN										
K8070MR-42	42" L or R Hand Return	\$ 55.80	\$ 55.80	\$ 55.80	\$ 67.50	\$ 78.30	\$ 78.30	\$ 78.30	\$ 94.50	\$ 94.50	\$ 94.50
K8070MR-48	48" L or R Hand Return	\$ 63.00	\$ 63.00	\$ 63.00	\$ 75.60	\$ 87.75	\$ 87.75	\$ 87.75	\$ 106.38	\$ 106.38	\$ 106.38
K8070MR-60	60" L or R Hand Return	\$ 75.24	\$ 75.24	\$ 75.24	\$ 91.80	\$ 108.27	\$ 108.27	\$ 108.27	\$ 130.14	\$ 130.14	\$ 130.14
	DOUBLE RETURN										
K8070DBLMR-42	42" Double Return	\$ 69.30	\$ 69.30	\$ 69.30	\$ 81.00	\$ 91.80	\$ 91.80	\$ 91.80	\$ 108.00	\$ 108.00	\$ 108.00
K8070DBLMR-48	48" Double Return	\$ 76.50	\$ 76.50	\$ 76.50	\$ 89.10	\$ 101.25	\$ 101.25	\$ 101.25	\$ 119.88	\$ 119.88	\$ 119.88
K8070DBLMR-60	60" Double Return	\$ 88.74	\$ 88.74	\$ 88.74	\$ 105.30	\$ 121.50	\$ 121.50	\$ 121.50	\$ 143.64	\$ 143.64	\$ 143.64
	RISERS										
K8075-42	42" Riser	\$ 19.80	\$ 19.80	\$ 19.80	\$ 23.40	\$ 27.00	\$ 27.00	\$ 27.00	\$ 34.20	\$ 34.20	\$ 34.20
K8075-48	48" Riser	\$ 23.00	\$ 23.00	\$ 23.00	\$ 26.91	\$ 31.05	\$ 31.05	\$ 31.05	\$ 39.06	\$ 39.06	\$ 39.06
K8075-60	60" Riser	\$ 29.52	\$ 29.52	\$ 29.52	\$ 33.93	\$ 39.15	\$ 39.15	\$ 39.15	\$ 48.78	\$ 48.78	\$ 48.78

Tread are 1-1/16" by 11-1/2". Risers are 3/4" by 7-1/2".  
Contact us for prices on other sizes.

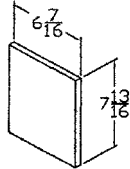
## TREAD CAP



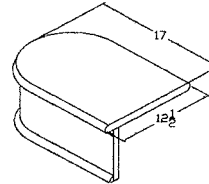
8971 Left & Right Hand Tread Cap	
Poplar	\$ 17.24
Ash	\$ 17.24
Red Oak	\$ 17.24
Euro Steamed Beech	\$ 18.95
Hard Maple	\$ 21.38
Hickory	\$ 21.38
White Oak	\$ 21.38
American Cherry	\$ 29.21
Brazilian Cherry	\$ 29.21
Superior Alder	\$ 29.21



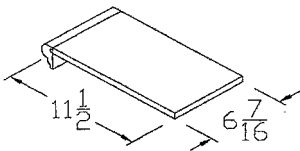
8071 Left & Right Hand Tread Cap	
Poplar	\$ 15.08
Ash	\$ 15.08
Red Oak	\$ 15.08
Euro Steamed Beech	\$ 16.43
Hard Maple	\$ 19.67
Hickory	\$ 19.67
White Oak	\$ 19.67
American Cherry	\$ 26.88
Brazilian Cherry	\$ 26.88
Superior Alder	\$ 26.88



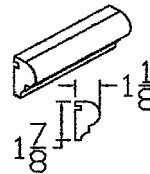
8976 Riser Cap	
Poplar	\$ 2.65
Ash	\$ 2.65
Red Oak	\$ 2.65
Euro Steamed Beech	\$ 2.91
Hard Maple	\$ 3.21
Hickory	\$ 3.21
White Oak	\$ 3.21
American Cherry	\$ 7.59
Brazilian Cherry	\$ 7.59
Superior Alder	\$ 7.59



8911 Starting Step	
Poplar	\$ 103.50
Ash	\$ 103.50
Red Oak	\$ 103.50
Euro Steamed Beech	\$ 113.85
Hard Maple	\$ 117.22
Hickory	\$ 117.22
White Oak	\$ 117.22
American Cherry	\$ 161.19
Brazilian Cherry	\$ 161.19
Superior Alder	\$ 161.19

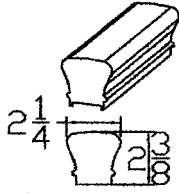


8972 Wall Tread Cap	
Poplar	\$ 11.38
Ash	\$ 11.38
Red Oak	\$ 11.38
Euro Steamed Beech	\$ 12.51
Hard Maple	\$ 13.21
Hickory	\$ 13.21
White Oak	\$ 13.21
American Cherry	\$ 21.48
Brazilian Cherry	\$ 21.48
Superior Alder	\$ 21.48

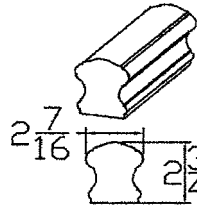


8081 Nosing/LF	
Poplar	\$ 3.19
Ash	\$ 3.19
Red Oak	\$ 3.19
Euro Steamed Beech	\$ 3.53
Hard Maple	\$ 4.02
Hickory	\$ 4.02
White Oak	\$ 4.02
American Cherry	\$ 6.95
Brazilian Cherry	\$ 6.95
Superior Alder	\$ 6.95

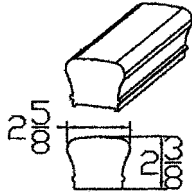
## HANDRAIL



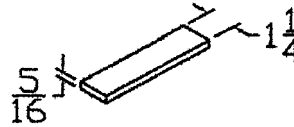
6010 Handrail with or w/o plow	
Poplar	\$ 7.44
Ash	\$ 7.44
Red Oak	\$ 7.44
Euro Steamed Beech	\$ 9.00
Hard Maple	\$ 12.09
Hickory	\$ 12.09
White Oak	\$ 12.09
American Cherry	\$ 16.02
Brazilian Cherry	\$ 16.02
Superior Alder	\$ 16.02



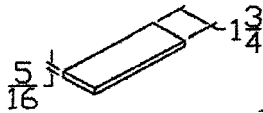
6110 Handrail with or w/o plow	
Poplar	\$ 10.37
Ash	\$ 10.37
Red Oak	\$ 10.37
Euro Steamed Beech	\$ 14.40
Hard Maple	\$ 15.27
Hickory	\$ 15.27
White Oak	\$ 15.27
American Cherry	\$ 23.26
Brazilian Cherry	\$ 23.26
Superior Alder	\$ 23.26



6210 Handrail with or w/o plow	
Poplar	\$ 10.37
Ash	\$ 10.37
Red Oak	\$ 10.37
Euro Steamed Beech	\$ 14.40
Hard Maple	\$ 15.27
Hickory	\$ 15.27
White Oak	\$ 15.27
American Cherry	\$ 23.26
Brazilian Cherry	\$ 23.26
Superior Alder	\$ 23.26



6000 1-1/4 Fillet / Lf	
Poplar	\$ 0.79
Ash	\$ 0.79
Red Oak	\$ 0.79
Euro Steamed Beech	\$ 1.04
Hard Maple	\$ 1.25
Hickory	\$ 1.25
White Oak	\$ 1.25
American Cherry	\$ 1.46
Brazilian Cherry	\$ 1.46
Superior Alder	\$ 1.46



6007 1-3/4 Fillet / Lf	
Poplar	\$ 0.93
Ash	\$ 0.93
Red Oak	\$ 0.93
Euro Steamed Beech	\$ 1.22
Hard Maple	\$ 1.47
Hickory	\$ 1.47
White Oak	\$ 1.47
American Cherry	\$ 1.71
Brazilian Cherry	\$ 1.71
Superior Alder	\$ 1.71

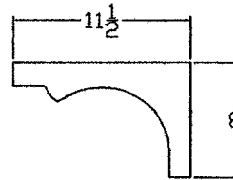
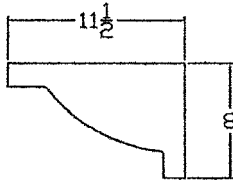
\* Add three dollars per lineal foot on all handrail over 12' do to length availability and shipping cost. Thank you.

## SQ. BALUSTERS & BRACKETS



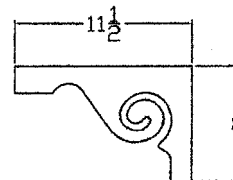
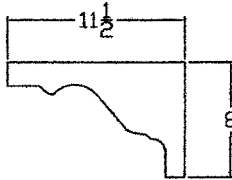
5060 1-1/4 Square Balusters - 42"	
Poplar	\$ 5.78
Ash	\$ 5.78
Red Oak	\$ 5.78
Euro Steamed Beech	\$ 6.35
Hard Maple	\$ 9.09
Hickory	\$ 9.09
White Oak	\$ 9.09
American Cherry	\$ 12.54
Brazilian Cherry	\$ 12.54
Superior Alder	\$ 12.54

5360 1-3/4 Square Balusters - 42"	
Poplar	\$ 12.06
Ash	\$ 12.06
Red Oak	\$ 12.06
Euro Steamed Beech	\$ 13.19
Hard Maple	\$ 14.94
Hickory	\$ 14.94
White Oak	\$ 14.94
American Cherry	\$ 19.46
Brazilian Cherry	\$ 19.46
Superior Alder	\$ 19.46



8031 Tread Bracket	
Poplar	\$ 7.47
Ash	\$ 7.47
Red Oak	\$ 7.47
Euro Steamed Beech	\$ 8.22
Hard Maple	\$ 9.77
Hickory	\$ 9.77
White Oak	\$ 9.77
American Cherry	\$ 13.25
Brazilian Cherry	\$ 13.25
Superior Alder	\$ 13.25

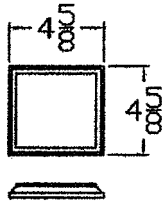
8030 Tread Bracket	
Poplar	\$ 7.47
Ash	\$ 7.47
Red Oak	\$ 7.47
Euro Steamed Beech	\$ 8.22
Hard Maple	\$ 9.77
Hickory	\$ 9.77
White Oak	\$ 9.77
American Cherry	\$ 13.25
Brazilian Cherry	\$ 13.25
Superior Alder	\$ 13.25



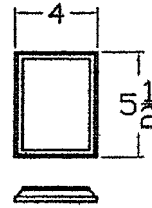
8028 Tread Bracket	
Poplar	\$ 7.47
Ash	\$ 7.47
Red Oak	\$ 7.47
Euro Steamed Beech	\$ 8.22
Hard Maple	\$ 9.77
Hickory	\$ 9.77
White Oak	\$ 9.77
American Cherry	\$ 13.25
Brazilian Cherry	\$ 13.25
Superior Alder	\$ 13.25

8029 Tread Bracket	
Poplar	\$ 10.12
Ash	\$ 10.12
Red Oak	\$ 10.12
Euro Steamed Beech	\$ 11.12
Hard Maple	\$ 12.41
Hickory	\$ 12.41
White Oak	\$ 12.41
American Cherry	\$ 15.59
Brazilian Cherry	\$ 15.59
Superior Alder	\$ 15.59

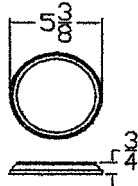
## ROSETTES



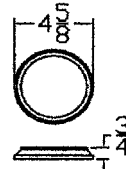
7338 Square Rosette	
Poplar	\$ 6.30
Ash	\$ 6.30
Red Oak	\$ 6.30
Euro Steamed Beech	\$ 6.93
Hard Maple	\$ 7.65
Hickory	\$ 7.65
White Oak	\$ 7.65
American Cherry	\$ 11.64
Brazilian Cherry	\$ 11.64
Superior Alder	\$ 11.64



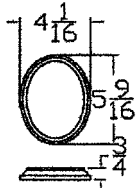
7339 Rectangle Rosette	
Poplar	\$ 6.30
Ash	\$ 6.30
Red Oak	\$ 6.30
Euro Steamed Beech	\$ 6.93
Hard Maple	\$ 7.65
Hickory	\$ 7.65
White Oak	\$ 7.65
American Cherry	\$ 11.64
Brazilian Cherry	\$ 11.64
Superior Alder	\$ 11.64



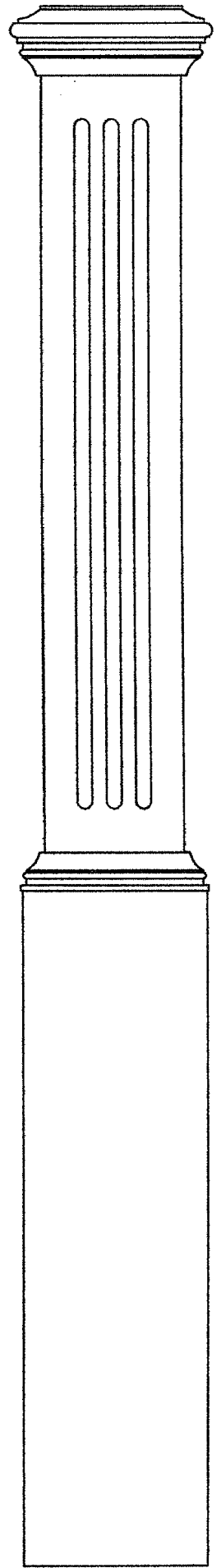
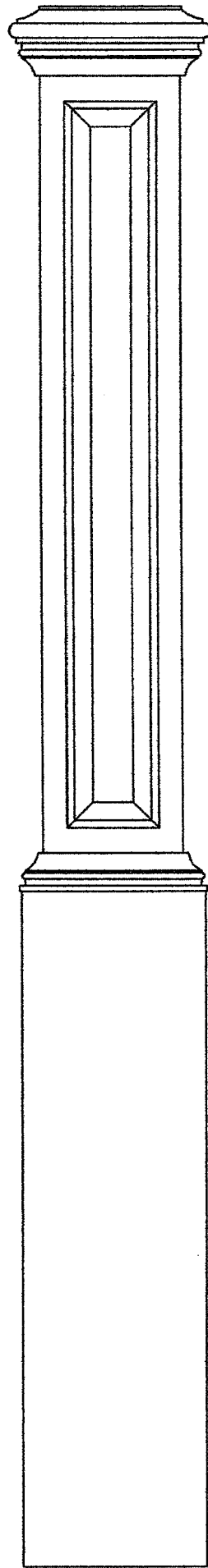
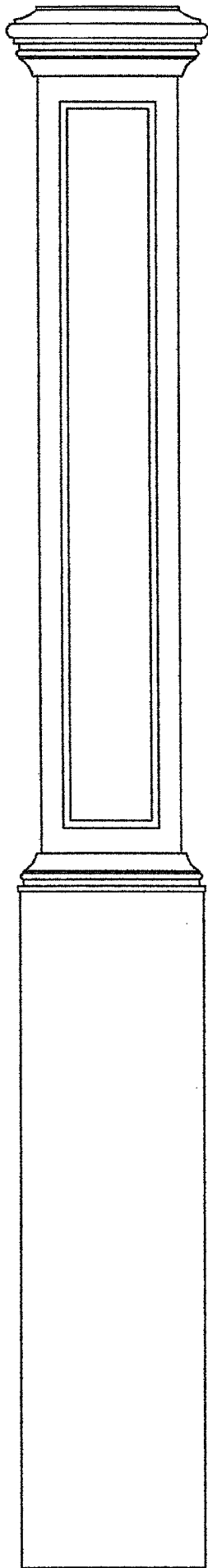
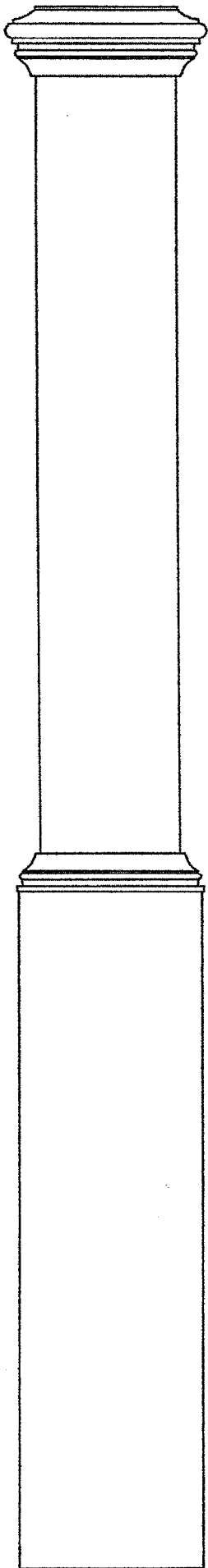
7217 Round Rosette	
Poplar	\$ 11.70
Ash	\$ 11.70
Red Oak	\$ 11.70
Euro Steamed Beech	\$ 12.60
Hard Maple	\$ 13.73
Hickory	\$ 13.73
White Oak	\$ 13.73
American Cherry	\$ 18.00
Brazilian Cherry	\$ 18.00
Superior Alder	\$ 18.00

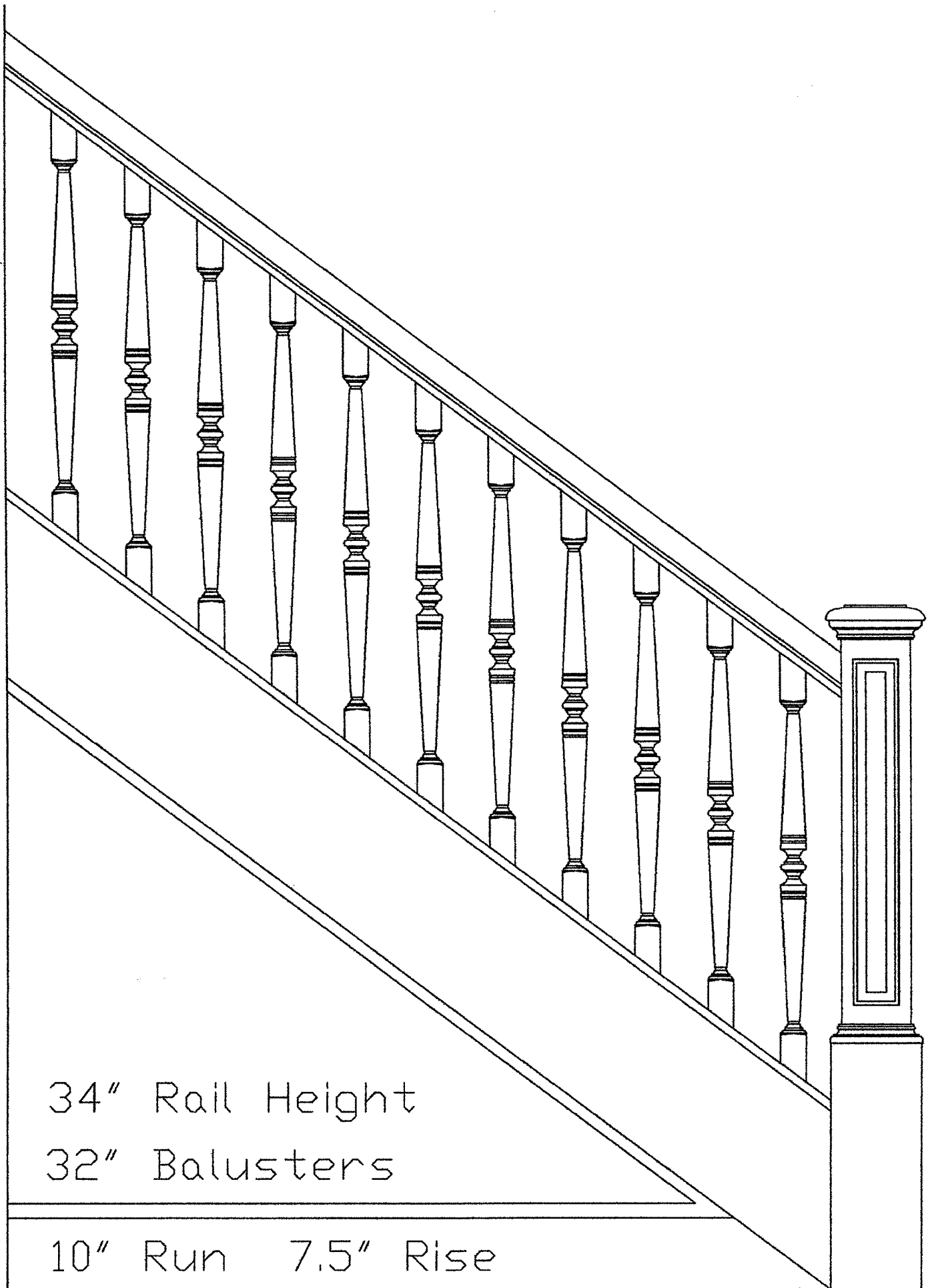


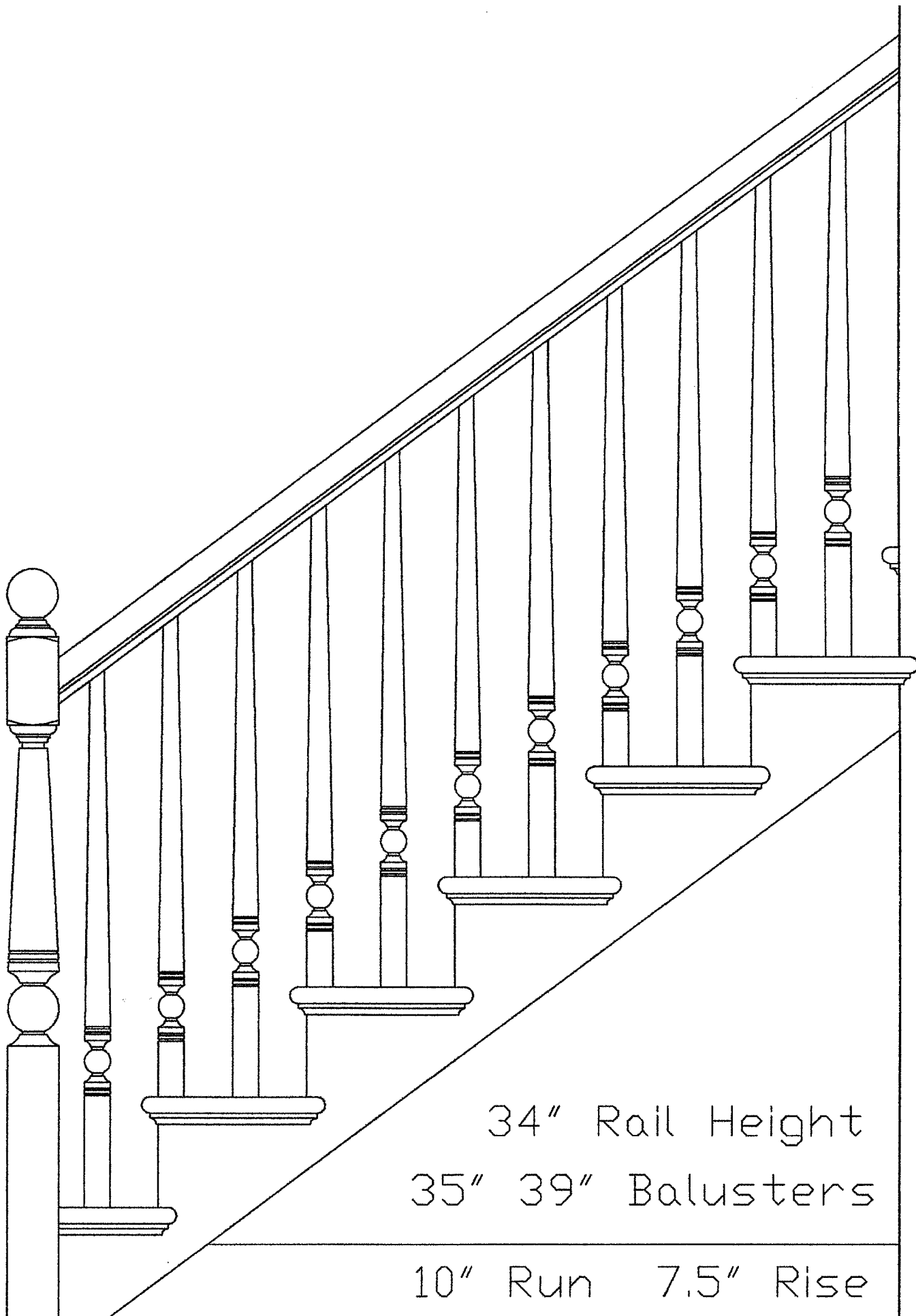
7317 Round Rosette	
Poplar	\$ 9.23
Ash	\$ 9.23
Red Oak	\$ 9.23
Euro Steamed Beech	\$ 10.15
Hard Maple	\$ 11.48
Hickory	\$ 11.48
White Oak	\$ 11.48
American Cherry	\$ 15.17
Brazilian Cherry	\$ 15.17
Superior Alder	\$ 15.17



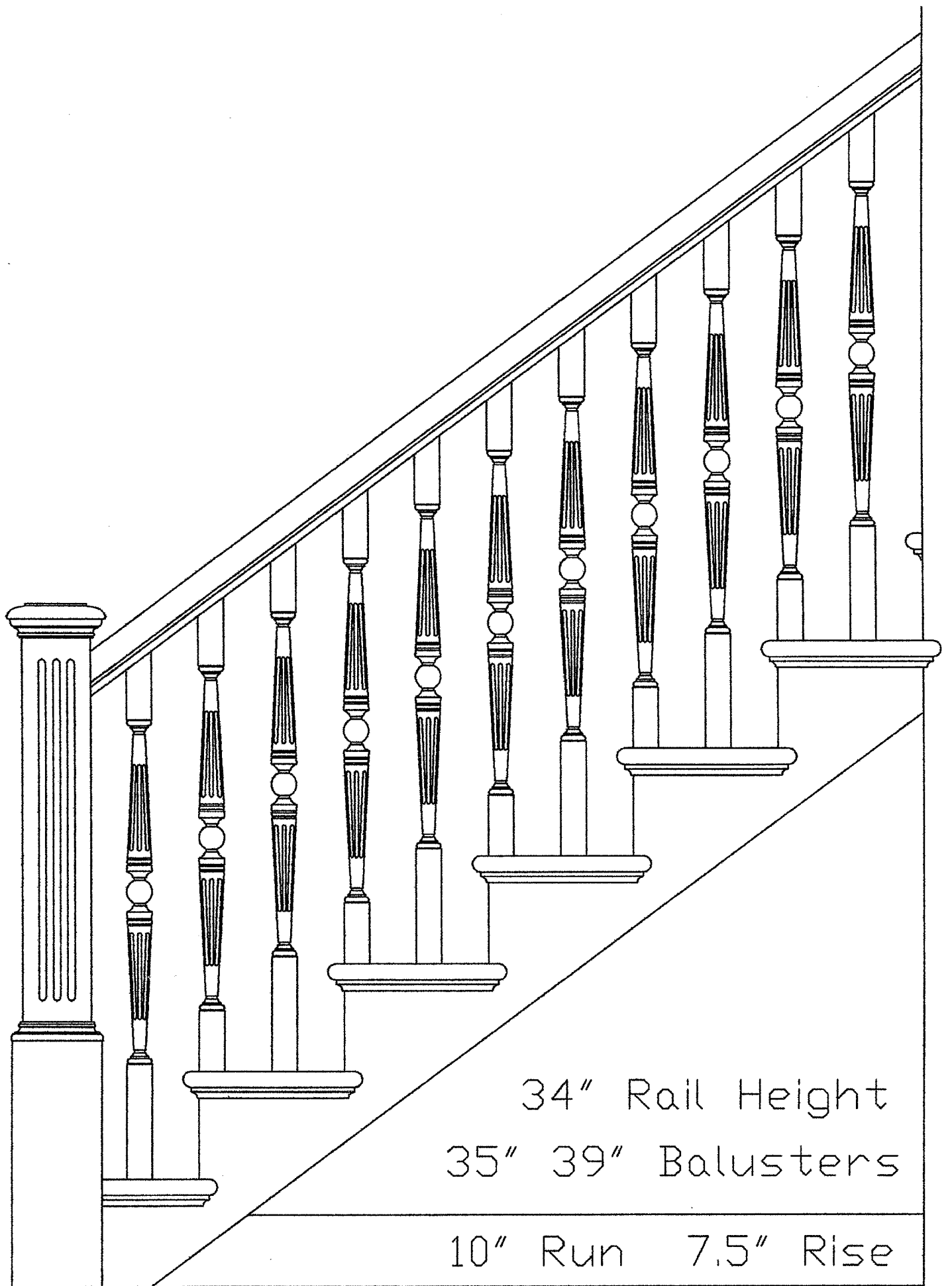
7337 Oval Rosette	
Poplar	\$ 9.23
Ash	\$ 9.23
Red Oak	\$ 9.23
Euro Steamed Beech	\$ 10.15
Hard Maple	\$ 11.48
Hickory	\$ 11.48
White Oak	\$ 11.48
American Cherry	\$ 15.17
Brazilian Cherry	\$ 15.17
Superior Alder	\$ 15.17







34" Rail Height  
35" 39" Balusters  
10" Run 7.5" Rise



# KINZEL

WOOD PRODUCTS LLC

## Order Form

<b>Bill To:</b>	<b>Ship To: (unless same as "bill to")</b>
NAME _____	NAME _____
ADDRESS _____	ADDRESS _____
CITY _____ STATE _____ ZIP _____	CITY _____ STATE _____ ZIP _____
TEL (Day): (____) _____ (Night): (____) _____	TEL (Day): (____) _____ (Night): (____) _____
E-MAIL _____	E-MAIL _____

QUANTITY	ITEM NUMBER	DESCRIPTION	PRICE EACH	TOTAL PRICE

<b>CREDIT CARD</b> Master <input type="checkbox"/> Card <input type="checkbox"/> Visa <input type="checkbox"/>	<b>SHIPPING COST</b> If subtotal is: Add: \$ 0 - \$124.....\$20 \$125 - \$249.....\$25 \$250 - \$374.....\$30 \$375 - \$499.....\$35 \$500 - \$624.....\$40 \$625 - \$749.....\$45 \$750 - \$874.....\$50 \$875 - \$999.....\$55 \$1000- \$1124.....\$60 \$1125- \$1249.....\$65 \$1250- \$1374.....\$70 \$1375- \$1499.....\$75 \$1500- UP.....FREE	Subtotal
Credit Card # _____		TAX
Expires / _____		For delivery to WI add 5% sales tax.
Signature _____		<b>SHIPPING</b> See chart at left. Within contiguous states.
		<b>TOTAL PAYMENT</b>

Kinzel Wood Products  
1825 S 30th St.  
Manitowoc, WI 54220

Phone: 1-866-683-2025  
Fax: 920-683-2085  
www.kinzelwoodproducts.com  
E-mail: info@kinzelwoodproducts.com